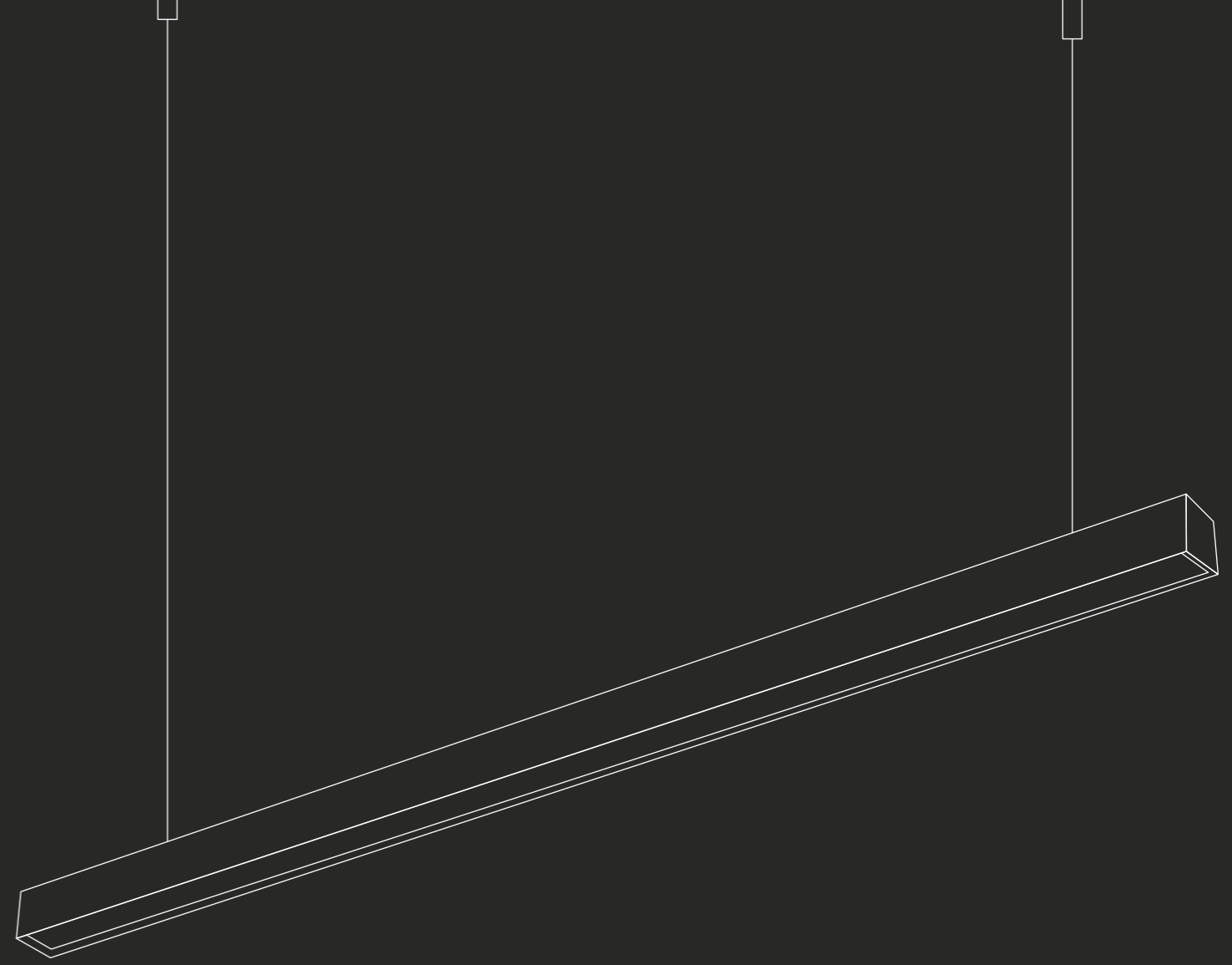


SMART LIGHTING
SYSTEM
TO REDUCE
CARBON FOOTPRINT
THROUGH IMPROVING
ENERGY EFFICIENCY



LUMINIA LIGHTING VIETNAM

Address: 106 Nguyen Hoang, An Phu Ward, Thu Duc City, HCMC

Tel: +(84) 28 62-711-651 | +(84) 28 62-711-691

Website: www.luminia.vn

LUMINIA HOLDING PTE.LTD.

Address: 29 Tai Seng Ave # 02-02 Singapore 534119

Tel: +(65) 97 688 731 | **UEN:** 202430712C



PRODUCTS CATALOGUE

www.luminia.vn



ABOUT US

Incorporated in 2013, Specializes in providing innovative, Energy efficient, Lighting solutions for Commercial, Industrial, and Residential buildings.

OUR MISSION

To incorporate AI into Smart Lighting system to reduce Carbon Footprint through improving energy efficiency.

OUR VISION



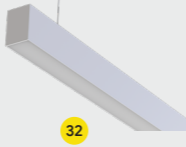

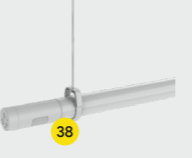



Make the world a Greener Place to live , for Generations to come.

OUR TEAMS

Comprises of our Commercial, Engineering and Design teams. Wholly owned subsidiary of: LUMINIA HOLDING PTE.LTD. - Singapore

Table of CONTENTS

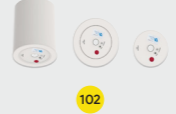



Functional Lighting

Downlight  4	Batten Light  30	Linear  32
Panel Light  36	Weatherproof Batten  38	Highbay  40
Explosion-Proof Led Highbay  42	Explosion- Proof Linear Light  44	


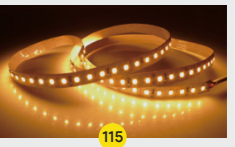
Landscape Lighting

Spotlight  46	Bollard Light  54	Step Light  63
Wall Light  68	Inground Light  74	Underwater Light  86
Street Light  92	Solar Street Light  94	Flood Light  100

Exit & Emergency

UFO  102	Slimline  103	Rocky  104
Minnie  105		

LED Strip

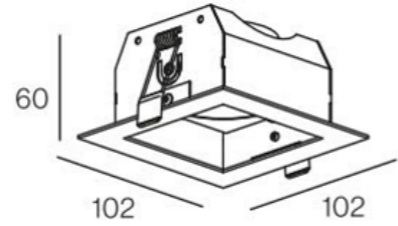
COB LED Strip  106	NEON LED Strip  111	SMD 2835 LED Strip  115
--	---	---

Downlight

Mocha

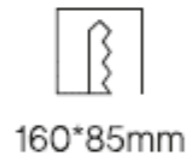
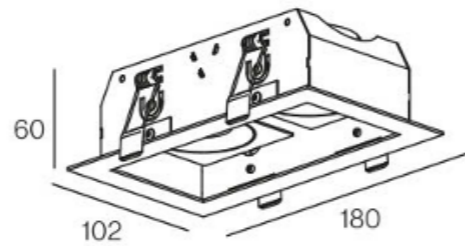
LLV.01.832A01000

Material	Aluminium
Power	6W
IP	20
Beam Angle	16/22/28 degree
Color temperature	3000K/4000K/6500K
Light efficiency	71lm/W
Color tendering index	≥90
Operating temperature	-25°C - 50°C
Lifespan	50.000hrs
Product Size	L102mm x W102mm x H60mm



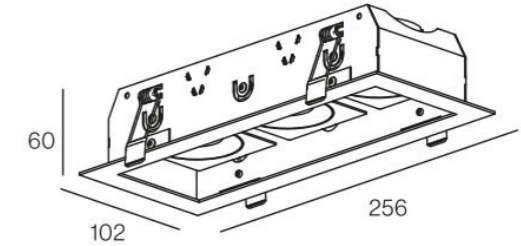
LLV.01.832A02000

Material	Aluminium
Power	2*6W
IP	20
Beam Angle	16/22/28 degree
Color temperature	3000K/4000K/6500K
Light efficiency	71lm/W
Color tendering index	≥90
Operating temperature	-25°C - 50°C
Lifespan	50.000hrs
Product Size	L180 x W102 x H60mm



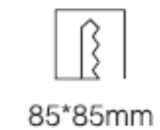
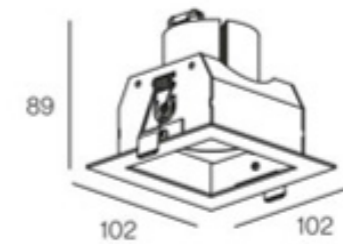
LLV.01.832A03000

Material	Aluminium
Power	3*6W
IP	20
Beam Angle	16/22/28 degree
Color temperature	3000K/4000K/6500K
Light efficiency	71lm/W
Color tendering index	≥90
Operating temperature	-25°C - 50°C
Lifespan	50.000hrs
Product Size	L256 x W102 x H60mm



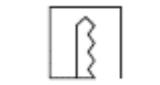
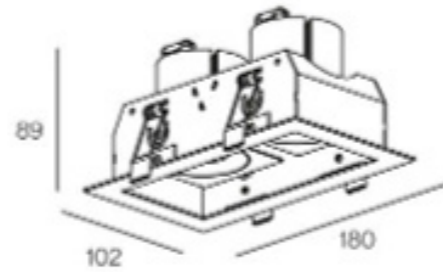
LLV.01.832B01000

Material	Aluminium
Power	8W/10W/12W
IP	20
Beam Angle	16/22/28 degree
Color temperature	3000K/4000K/6500K
Light efficiency	71lm/W
Color tendering index	≥90
Operating temperature	-25°C - 50°C
Lifespan	50.000hrs
Product Size	L102 x W102 x H89mm



LLV.01.832B02000

Material	Aluminium
Power	2*8W/2*10W/2*12W
IP	20
Beam Angle	16/22/28 degree
Color temperature	3000K/4000K/6500K
Light efficiency	71lm/W
Color tendering index	≥90
Operating temperature	-25°C - 50°C
Lifespan	50.000hrs
Product Size	L180mm x W102mm x H89mm

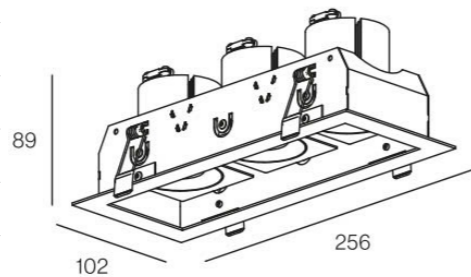


160*85mm



LLV.01.832A03000

Material	Aluminium
Power	3*8W/3*10W/3*12W
IP	20
Beam Angle	16/22/28 degree
Color temperature	3000K/4000K/6500K
Light efficiency	71lm/W
Color tendering index	≥90
Operating temperature	-25°C - 50°C
Lifespan	50.000hrs
Product Size	L256mm x W102mm x H89mm



240*85mm





LLV.01.178A01000

Material	Aluminium
Power	5W/6W/7W
IP	20
Beam Angle	18/25/36/50 degree
Color temperature	3000K/4000K/6500K
Light efficiency	86lm/W
Color tendering index	≥90
Operating temperature	-25°C - 50°C
Lifespan	50.000hrs
Product Size	D85mm x H55mm



LLV.01.178A02000

Material	Aluminium
Power	8W/10W
IP	20
Beam angle	27/30/38 degree
Color temperature	3000K/4000K/6500K
Light efficiency	74lm/W
Color tendering index	≥90
Operating temperature	-25°C - 50°C
Lifespan	50.000hrs
Product Size	D85mm x H75mm



LLV.01.178B01000

Material	Aluminium
Power	5W/6W/7W
IP	20
Beam Angle	16/19/38 degree
Color temperature	3000K/4000K/6500K
Light efficiency	63lm/W
Color tendering index	≥90
Operating temperature	-25°C - 50°C
Lifespan	50.000hrs
Product Size	D85mm x H55mm



LLV.01.178B02000

Material	Aluminium
Power	8W/10W
IP	20
Beam Angle	16/19/38 degree
Color temperature	3000K/4000K/6500K
Light efficiency	63lm/W
Color tendering index	≥90
Operating temperature	-25°C - 50°C
Lifespan	50.000hrs
Product Size	D85mm x H75mm



LLV.01.178C02000

Material	Aluminium
Power	5W/10W
IP	20
Beam Angle	5/8 degree
Color temperature	3000K/4000K/6500K
Light efficiency	39lm/W
Color tendering index	≥90
Operating temperature	-25°C - 50°C
Lifespan	50.000hrs
Product Size	D85mm x H75mm





LLV.01.193A01000

Material	Aluminium
Power	6W/8W
IP	20
Beam Angle	20/35/50 degree
Color temperature	3000K/4000K/6500K
Light efficiency	71lm/W
Color tendering index	≥90
Operating temperature	-25°C - 50°C
Lifespan	50.000hrs
Product Size	D62mm x H70mm



LLV.01.193A02R00

Material	Aluminium
Power	8W/10W/12W
IP	20
Beam angle	18/28/36/55 degree
Color temperature	3000K/4000K/6500K
Light efficiency	73lm/W
Color tendering index	≥90
Operating temperature	-25°C - 50°C
Lifespan	50.000hrs
Product Size	D87mm x H95mm



LLV.01.193B02R00

Material	Aluminium
Power	8W/10W/12W
IP	20
Beam Angle	18/28/36/55 degree
Color temperature	3000K/4000K/6500K
Light efficiency	73lm/W
Color tendering index	≥90
Operating temperature	-25°C - 50°C
Lifespan	50.000hrs
Product Size	D87mm x H95mm



LLV.01.193C02R00

Material	Aluminium
Power	8W/10W/12W
IP	20
Beam Angle	18/28/36/55 degree
Color temperature	3000K/4000K/6500K
Light efficiency	73lm/W
Color tendering index	≥90
Operating temperature	-25°C - 50°C
Lifespan	50.000hrs
Product Size	D112.5mm x H95mm



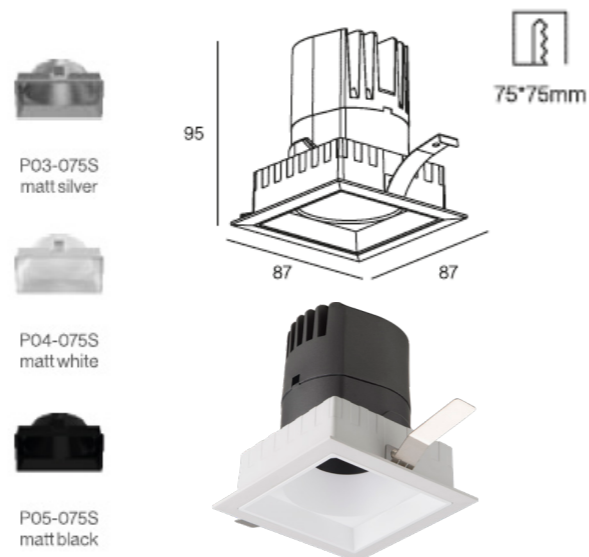
LLV.01.193D02R00

Material	Aluminium
Power	8W/10W/12W
IP	20
Beam Angle	18/28/38/55 degree
Color temperature	3000K/4000K/6500K
Light efficiency	73lm/W
Color tendering index	≥90
Operating temperature	-25°C - 50°C
Lifespan	50.000hrs
Product Size	D112.5mm x H95mm



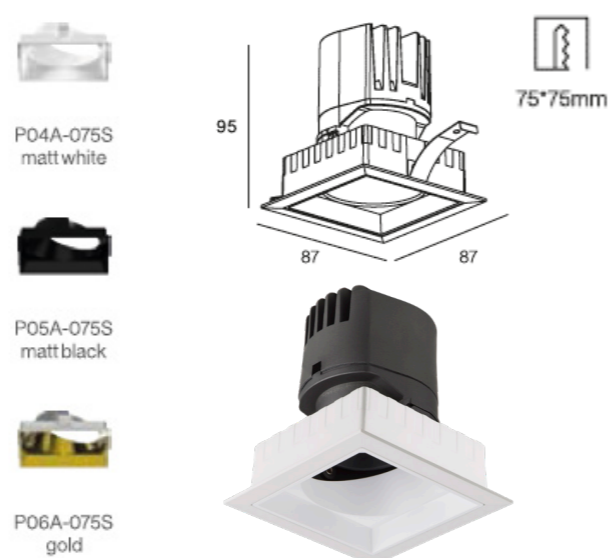
LLV.01.193A02S00

Material	Aluminium
Power	8W/10W/12W
IP	20
Beam Angle	18/28/36/55 degree
Color temperature	3000K/4000K/6500K
Light efficiency	73lm/W
Color tendering index	≥90
Operating temperature	-25°C - 50°C
Lifespan	50.000hrs
Product Size	L87 x W87 x H95mm



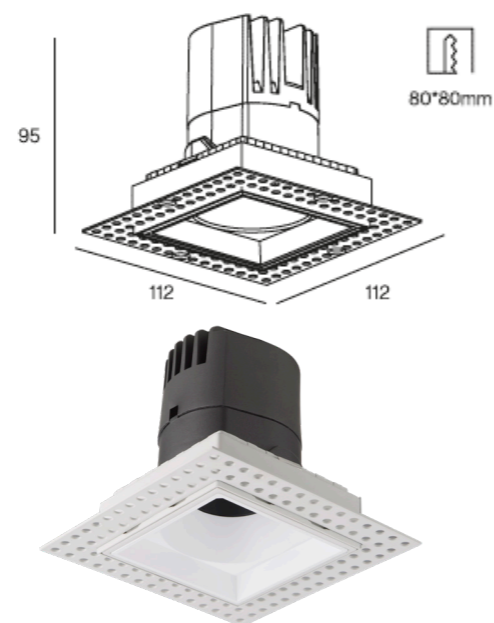
LLV.01.193B02S00

Material	Aluminium
Power	8W/10W/12W
IP	20
Beam Angle	18/28/38/55 degree
Color temperature	3000K/4000K/6500K
Light efficiency	73lm/W
Color tendering index	≥90
Operating temperature	-25°C - 50°C
Lifespan	50.000hrs
Product Size	L87 x W87 x H95mm



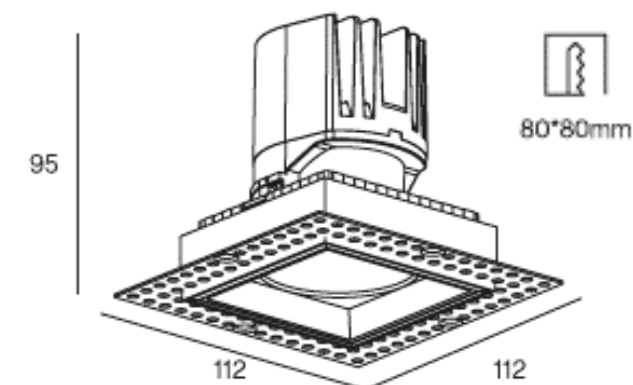
LLV.01.193C02S00

Material	Aluminium
Power	8W/10W/12W
IP	20
Beam Angle	18/28/36/55 degree
Color temperature	3000K/4000K/6500K
Light efficiency	73lm/W
Color tendering index	≥90
Operating temperature	-25°C - 50°C
Lifespan	50.000hrs
Product Size	L112 x W112 x H95mm



LLV.01.193D02S00

Material	Aluminium
Power	8W/10W/12W
IP	20
Beam Angle	18/28/38/55 degree
Color temperature	3000K/4000K/6500K
Light efficiency	73lm/W
Color tendering index	≥90
Operating temperature	-25°C - 50°C
Lifespan	50.000hrs
Product Size	L112 x W112 x H95mm



LLV.01.193A03R00

Material	Aluminium
Power	15W/20W
IP	20
Beam Angle	21/32/45/55 degree
Color temperature	3000K/4000K/6500K
Light efficiency	73lm/W
Color tendering index	≥90
Operating temperature	-25°C - 50°C
Lifespan	50.000hrs
Product Size	D108mm x H127mm



LLV.01.193B03R00

Material	Aluminium
Power	15W/20W
IP	20
Beam Angle	21/32/45/55 degree
Color temperature	3000K/4000K/6500K
Light efficiency	73lm/W
Color tendering index	≥90
Operating temperature	-25°C - 50°C
Lifespan	50.000hrs
Product Size	D108mm x H127mm



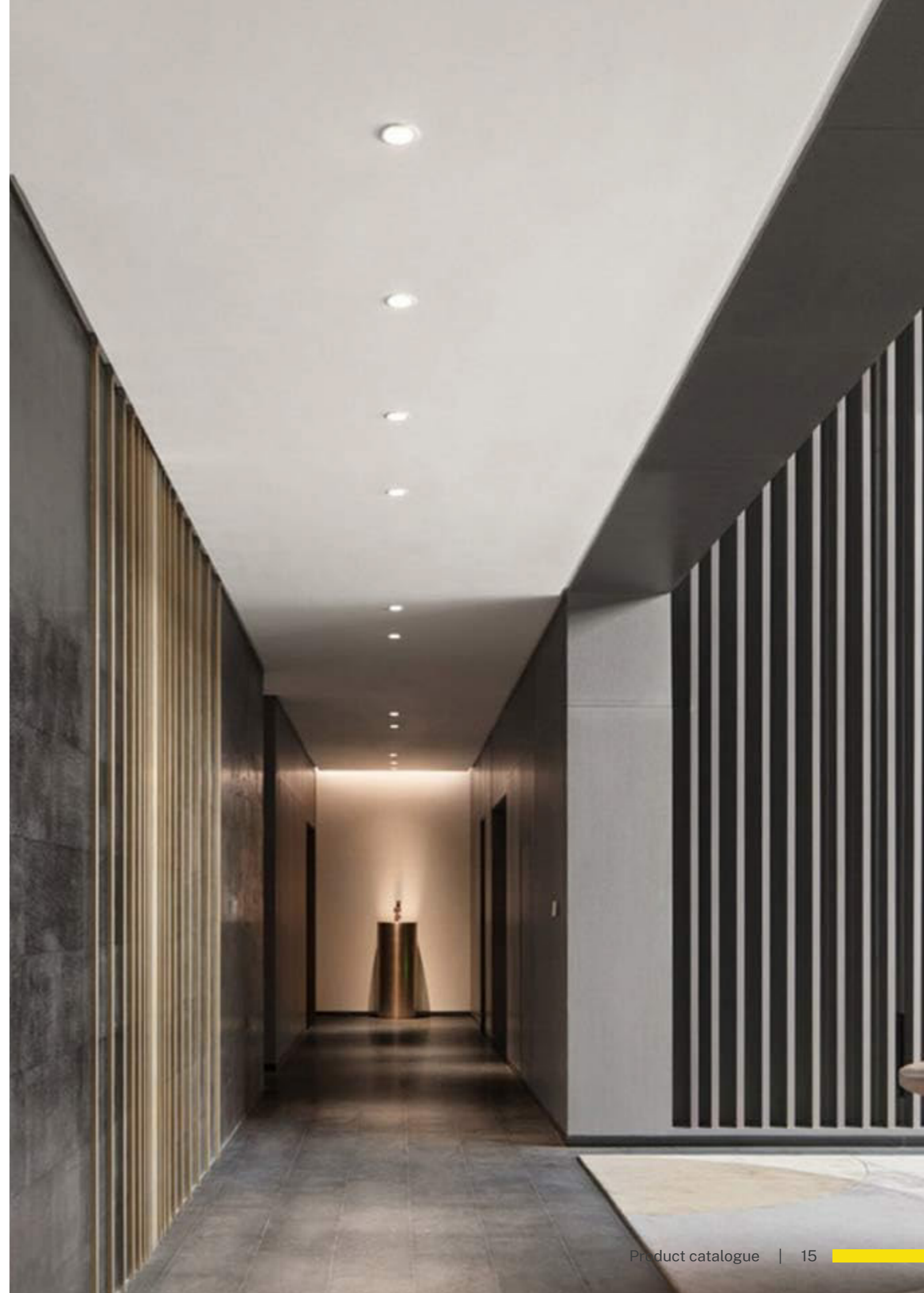
LLV.01.193A04R00

Material	Aluminium
Power	25W/30W/35W
IP	20
Beam Angle	19/28/35/50 degree
Color temperature	3000K/4000K/6500K
Light efficiency	94lm/W
Color tendering index	≥90
Operating temperature	-25°C - 50°C
Lifespan	50.000hrs
Product Size	D132mm x H155mm

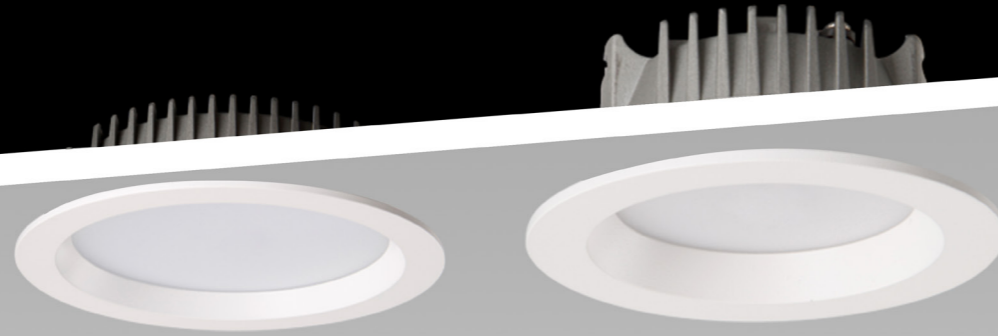


LLV.01.193B04R00

Material	Aluminium
Power	25W/30W/35W
IP	20
Beam Angle	19/28/35/50 degree
Color temperature	3000K/4000K/6500K
Light efficiency	94lm/W
Color tendering index	≥90
Operating temperature	-25°C - 50°C
Lifespan	50.000hrs
Product Size	D132mm x H155mm

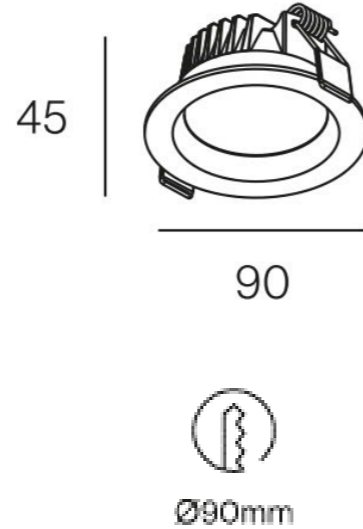


NEOX



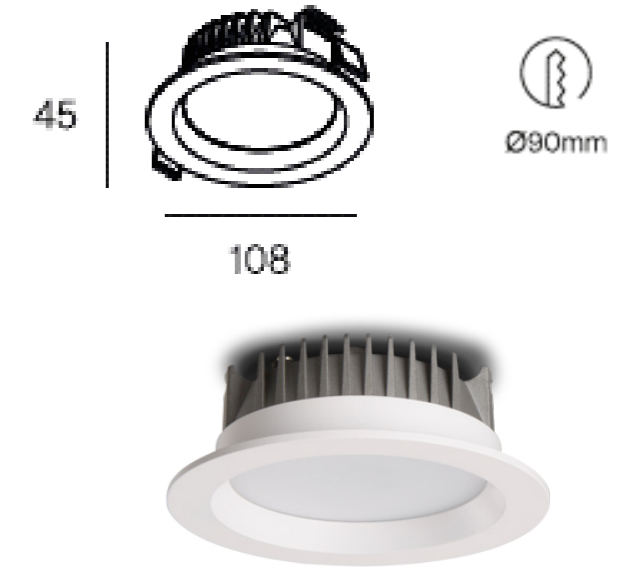
LLV.01.170B01000

Material	Aluminium
Power	3W/5W
IP	20
Beam angle	100 degree
Color temperature	3000K/4000K/6500K
Light efficiency	79lm/W
Color tendering index	≥80/90
Operating temperature	-25°C - 50°C
Lifespan	50.000hrs
Product Size	D90mm x H45mm



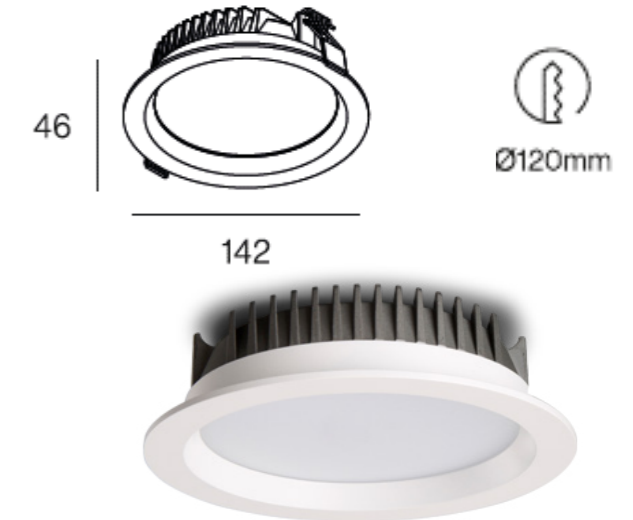
LLV.01.170B02000

Material	Aluminium
Power	7W/10W
IP	20
Beam Angle	100 degree
Color temperature	3000K/4000K/6500K
Light efficiency	98lm/W
Color tendering index	≥80/90
Operating temperature	-25°C - 50°C
Lifespan	50.000hrs
Product Size	D108mm x H45mm



LLV.01.170B03000

Material	Aluminium
Power	12W/15W
IP	20
Beam angle	100 degree
Color temperature	3000K/4000K/6500K
Light efficiency	99lm/W
Color tendering index	≥80/90
Operating temperature	-25°C - 50°C
Lifespan	50.000hrs
Product Size	D142mm x H46mm



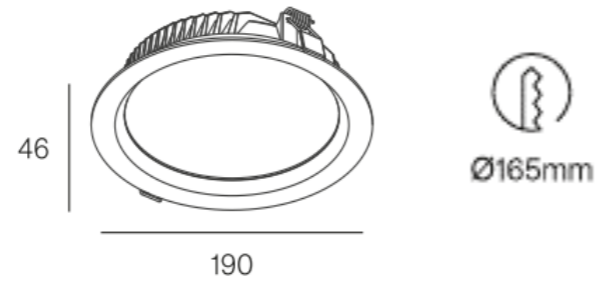
LLV.01.170B04000

Material	Aluminium
Power	15W/20W
IP	20
Beam angle	100 degree
Color temperature	3000K/4000K/6500K
Light efficiency	99lm/W
Color tendering index	≥80/90
Operating temperature	-25°C - 50°C
Lifespan	50.000hrs
Product Size	D168mm x H44mm



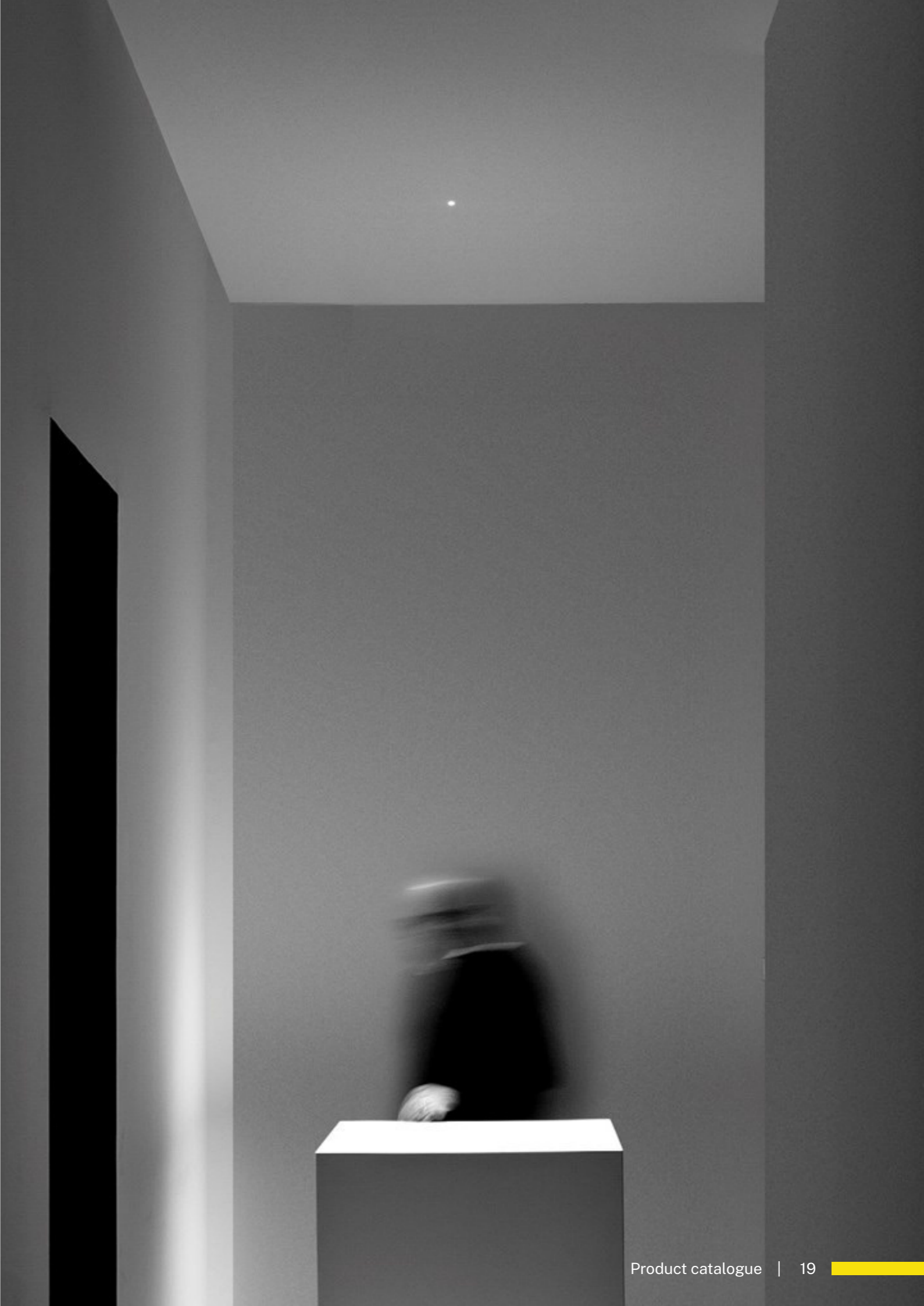
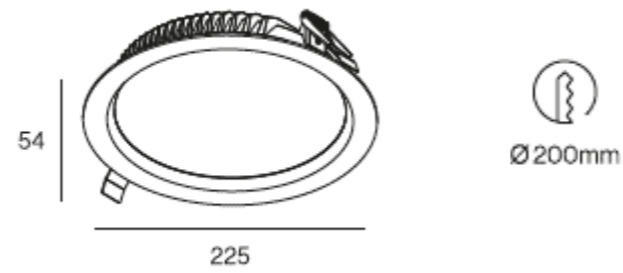
LLV.01.170B05000

Material	Aluminium
Power	20W/25W
IP	20
Beam Angle	100 degree
Color temperature	3000K/4000K/6500K
Light efficiency	102lm/W
Color tendering index	≥80/90
Operating temperature	-25°C - 50°C
Lifespan	50.000hrs
Product Size	D190mm x H46mm



LLV.01.170B06000

Material	Aluminium
Power	30W/35W
IP	20
Beam Angle	100 degree
Color temperature	3000K/4000K/6500K
Light efficiency	102lm/W
Color tendering index	≥80/90
Operating temperature	-25°C - 50°C
Lifespan	50.000hrs
Product Size	D225mm x H54mm



Truck



LLV. 01. 200A01000

Material	Aluminium
Power	8W/10W
IP	20
Beam Angle	27/35/43 degree
Color temperature	3000K/4000K/6500K
Light efficiency	78lm/W
Color tendering index	≥90
Operating temperature	-25°C - 50°C
Lifespan	50.000hrs
Product Size	D90mm x H70mm



LLV. 01. 200A03000

Material	Aluminium
Power	20W/25W
IP	20
Beam Angle	17/20/31/43 degree
Color temperature	3000K/4000K/6500K
Light efficiency	69lm/W
Color tendering index	≥90
Operating temperature	-25°C - 50°C
Lifespan	50.000hrs
Product Size	D135mm x H98mm



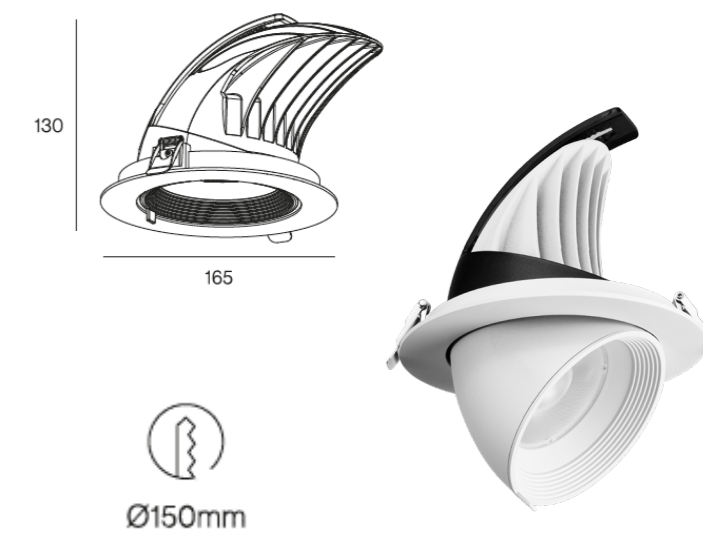
LLV. 01. 200A02000

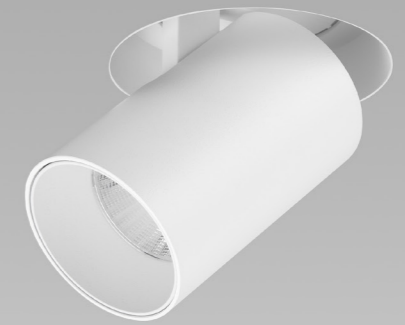
Material	Aluminium
Power	12W/15W
IP	20
Beam angle	17/23/35/43 degree
Color temperature	3000K/4000K/6500K
Light efficiency	68lm/W
Color tendering index	≥90
Operating temperature	-25°C - 50°C
Lifespan	50.000hrs
Product Size	D110mm x H78mm



LLV. 01. 200A04000

Material	Aluminium
Power	25W/30W
IP	20
Beam angle	17/25/35/50 degree
Color temperature	3000K/4000K/6500K
Light efficiency	103lm/W
Color tendering index	≥90
Operating temperature	-25°C - 50°C
Lifespan	50.000hrs
Product Size	D165mm x H130mm





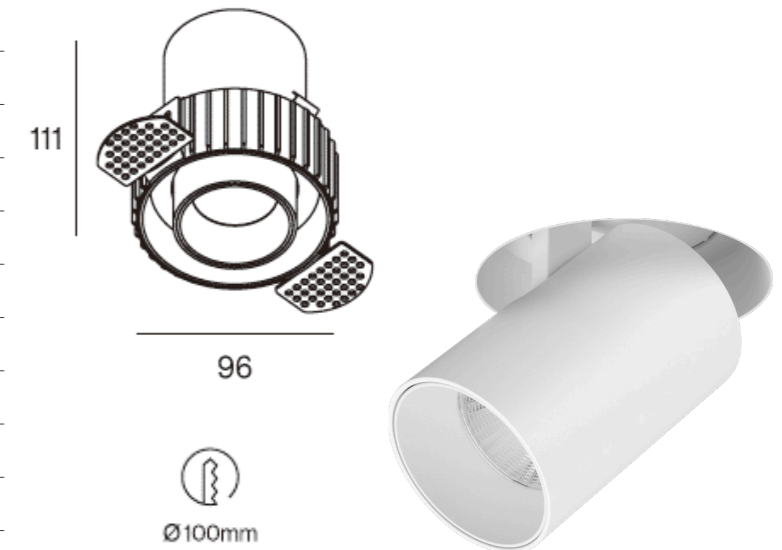
LLV.01.172A01000

Material	Aluminium
Power	10W/12W
IP	20
Beam Angle	15/26/38/50 degree
Color temperature	3000K/4000K/6500K
Light efficiency	83lm/W
Color tendering index	≥90
Operating temperature	-25°C - 50°C
Lifespan	50.000hrs
Product Size	D100mm x H111mm



LLV.01.172B01000

Material	Aluminium
Power	10W/12W
IP	20
Beam Angle	15/26/38/50 degree
Color temperature	3000K/4000K/6500K
Light efficiency	83lm/W
Color tendering index	≥90
Operating temperature	-25°C - 50°C
Lifespan	50.000hrs
Product Size	D96mm x H111mm



LLV.01.172A02000

Material	Aluminium
Power	25W/30W
IP	20
Beam angle	16/21/33/50 degree
Color temperature	3000K/4000K/6500K
Light efficiency	95lm/W
Color tendering index	≥90
Operating temperature	-25°C - 50°C
Lifespan	50.000hrs
Product Size	D154mm x H138mm



LLV.01.172B02000

Power	25W/30W
IP	20
Beam angle	16/21/33/50 degree
Color temperature	3000K/4000K/6500K
Light efficiency	95lm/W
Color tendering index	≥90
Operating temperature	-25°C - 50°C
Lifespan	50.000hrs
Product Size	D141mm x H134mm

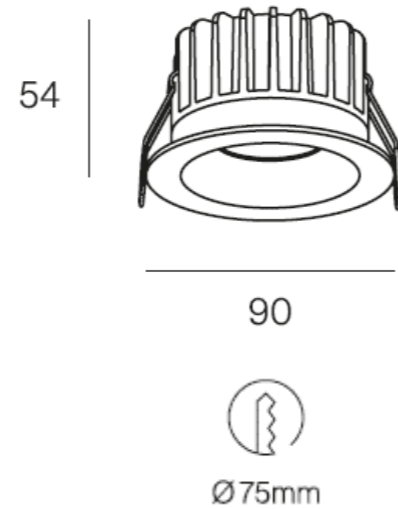


RO



LLV.01.189A01000

Material	Aluminium
Power	8W/10W
IP	65
Beam angle	17/19/33/56/60 degree
Color temperature	3000K/4000K/6500K
Light efficiency	78lm/W
Color tendering index	≥90
Operating temperature	-25°C - 50°C
Lifespan	50.000hrs
Product Size	D90mm x H54mm



LLV.01.189A02000

Material	Aluminium
Power	12W/15W
IP	65
Beam angle	18/22/30/48/64 degree
Color temperature	3000K/4000K/6500K
Light efficiency	70lm/W
Color tendering index	≥90
Operating temperature	-25°C - 50°C
Lifespan	50.000hrs
Product Size	D110mm x H67mm



LLV.01.189B02000

Material	Aluminium
Power	12W/15W
IP	65
Beam angle	18/22/30/48/64 degree
Color temperature	3000K/4000K/6500K
Light efficiency	70lm/W
Color tendering index	≥90
Operating temperature	-25°C - 50°C
Lifespan	50.000hrs
Product Size	D115mm x H81mm

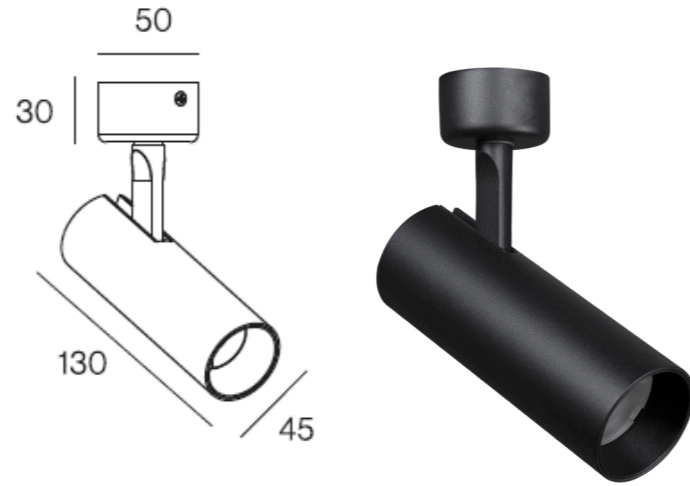


POT



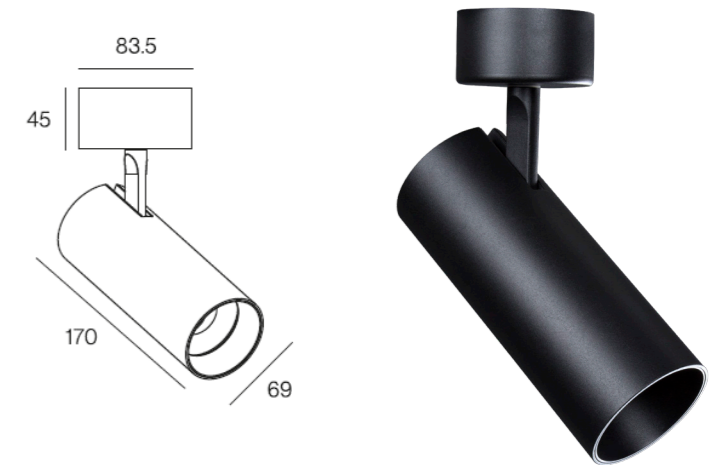
LLV.03.102A03000

Material	Aluminium
Power	8W
IP	20
Beam Angle	8/19/25/36/50 degree
Color temperature	3000K/4000K/6500K
Light efficiency	76lm/W
Color tendering index	≥90
Operating temperature	-25°C - 50°C
Lifespan	50.000hrs
Product Size	D45mm x H130mm



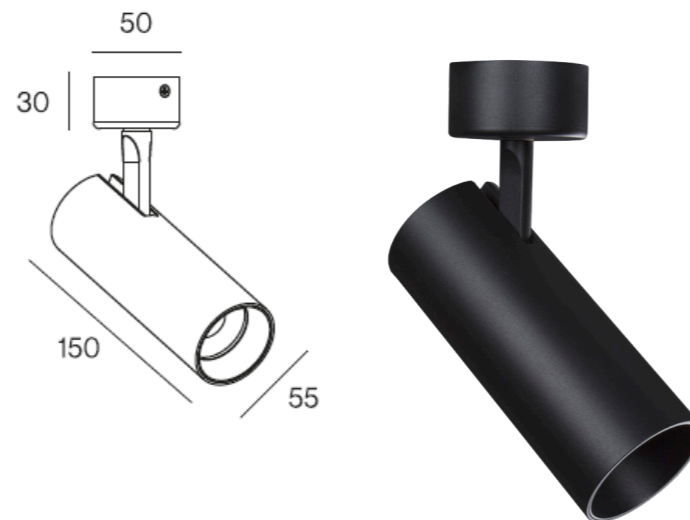
LLV.03.102C03000

Material	Aluminium
Power	20W/25W
IP	20
Beam Angle	15/25/36/50 degree
Color temperature	3000K/4000K/6500K
Light efficiency	88lm/W
Color tendering index	≥90
Operating temperature	-25°C - 50°C
Lifespan	50.000hrs
Product Size	D69mm x H170mm



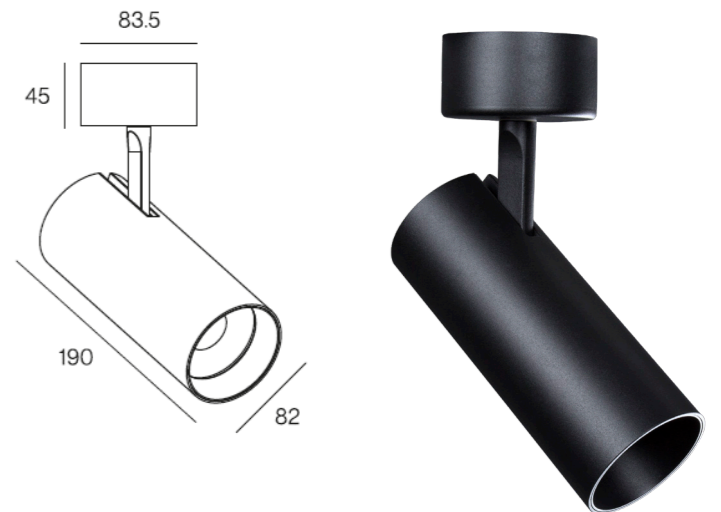
LLV.03.102B03000

Material	Aluminium
Power	12W/15W
IP	20
Beam angle	14/26/37/50 degree
Color temperature	3000K/4000K/6500K
Light efficiency	89lm/W
Color tendering index	≥90
Operating temperature	-25°C - 50°C
Lifespan	50.000hrs
Product Size	D55mm x H150mm



LLV.03.102D03000

Material	Aluminium
Power	30W/38W/42W
IP	20
Beam angle	18/23/38/50 degree
Color temperature	3000K/4000K/6500K
Light efficiency	89lm/W
Color tendering index	≥90
Operating temperature	-25°C - 50°C
Lifespan	50.000hrs
Product Size	D82mm x H190mm

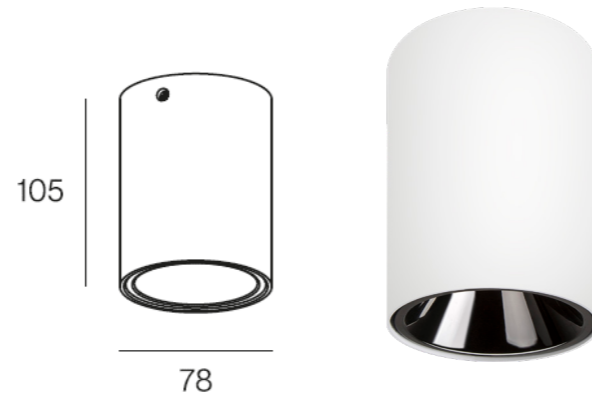


Roul



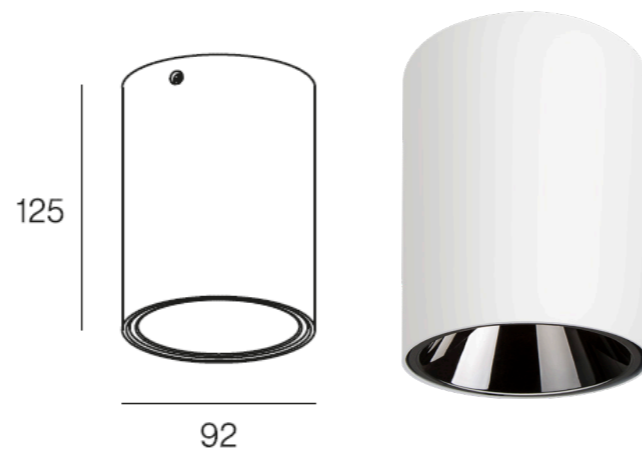
LLV.03.183A01000

Material	Aluminium
Power	10W
IP	20
Beam angle	18/20/30 degree
Color temperature	3000K/4000K/6500K
Light efficiency	79lm/W
Color tendering index	≥90
Operating temperature	-25°C - 50°C
Lifespan	50.000hrs
Product Size	D78mm x H105mm



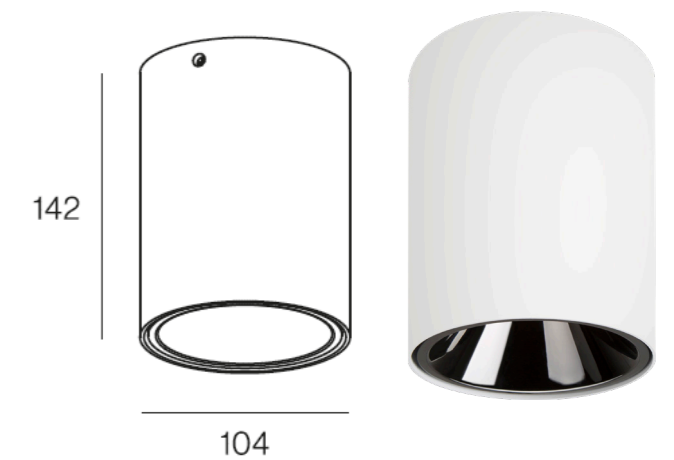
LLV.03.183A02000

Material	Aluminium
Power	15W/20W
IP	20
Beam angle	18/20/30 degree
Color temperature	3000K/4000K/6500K
Light efficiency	66lm/W
Color tendering index	≥90
Operating temperature	-25°C - 50°C
Lifespan	50.000hrs
Product Size	D92mm x H125mm



LLV.03.183A03000

Material	Aluminium
Power	25W/30W
IP	20
Beam angle	18/20/30 degree
Color temperature	3000K/4000K/6500K
Light efficiency	73lm/W
Color tendering index	≥90
Operating temperature	-25°C - 50°C
Lifespan	50.000hrs
Product Size	D104mm x H142mm



Batten Light

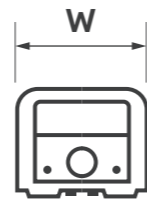
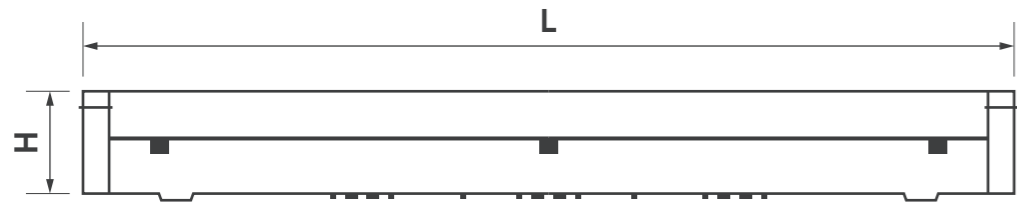


LLV.MS-LL01000610/20

Material	PC cover
Power	10W/ 20W
IP	20
Beam angle	120 degree
Color temperature	3000K/4000K/6500K
Light efficiency	1400lm/ 2800lm
Color tendering index	≥80
Operating temperature	-40~50°C
Lifespan	50.000hrs
Product Size	L600*W70*H41mm

LLV.MS-LL010012020/40

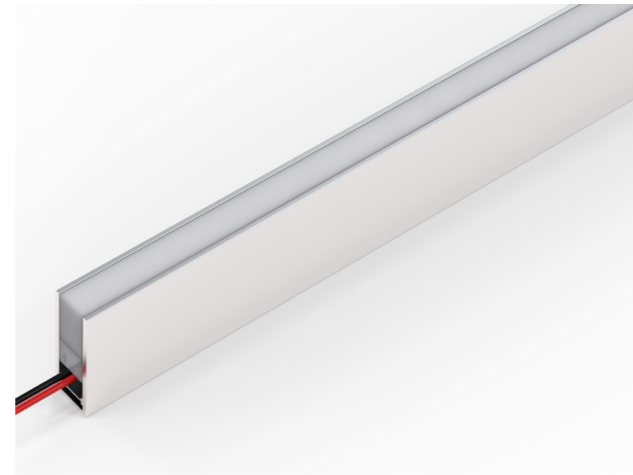
Material	PC cover
Power	20W/ 40W
IP	20
Beam angle	120 degree
Color temperature	3000K/4000K/6500K
Light efficiency	2800lm/ 5600lm
Color tendering index	≥80
Operating temperature	-40~50°C
Lifespan	50.000hrs
Product Size	L1200*W70*H41mm



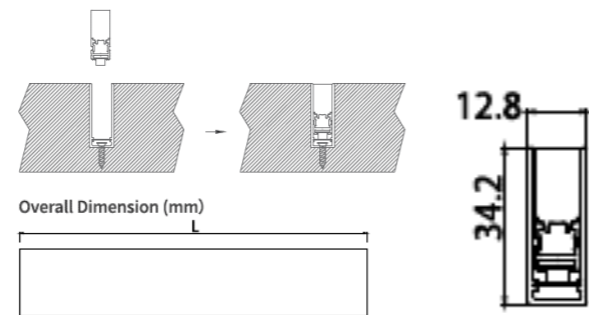
Linear

LLV.CA31D10.14

Material	Aluminum
Power	Max 12W/M
IP	20
Beam angle	120 degree
Color temperature	3000K/4000K/6500K
Light efficiency	70lm/W
Color tendering index	≥90
Operating temperature	-20°C - 50°C
Lifespan	50.000hrs
Product Size	L _{min} : 48.7mm ; L _{max} : 2007mm

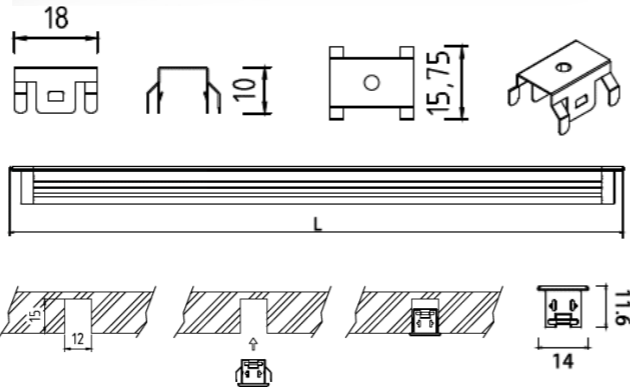
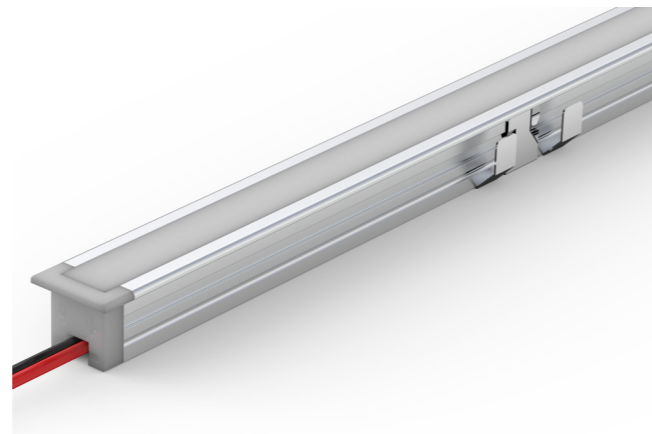


Mounting Instruction



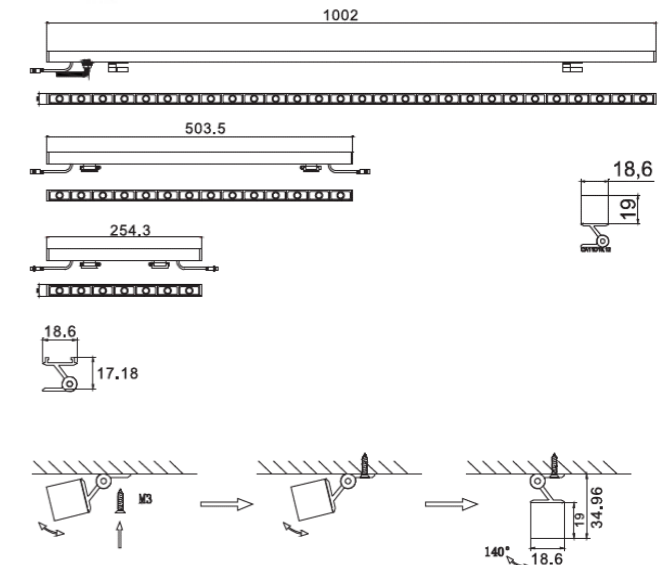
LLV.CA32D14.11

Material	Aluminum
Power	Max 12W/M
IP	20
Beam angle	120 degree
Color temperature	3000K/4000K/6500K
Light efficiency	70lm/W
Color tendering index	≥90
Operating temperature	-20°C - 50°C
Lifespan	50.000hrs
Product Size	L _{min} : 53.7mm ; L _{max} : 2012 mm



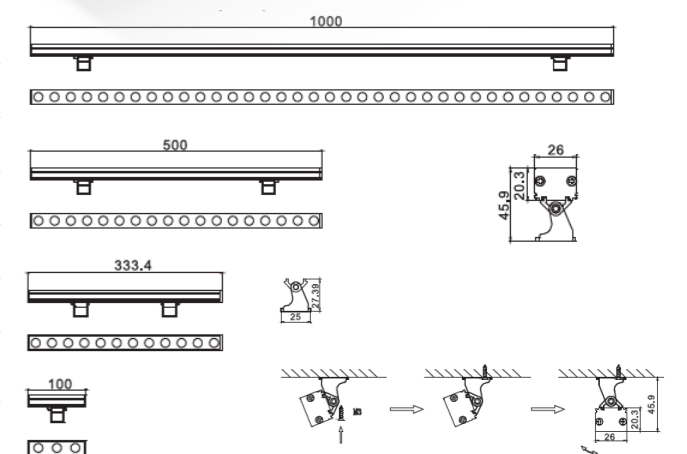
LLV.CA32D18.12

Material	Aluminum
Power	Max 15W/M
IP	40/65
Beam angle	15/24/36/51/25/40 degree
Color temperature	3000K/4000K/6500K
Light efficiency	70lm/W
Color tendering index	≥90
Operating temperature	-20°C - 50°C
Lifespan	50.000hrs
Product Size	L254.3mm/L503.5mm/ L1002mm



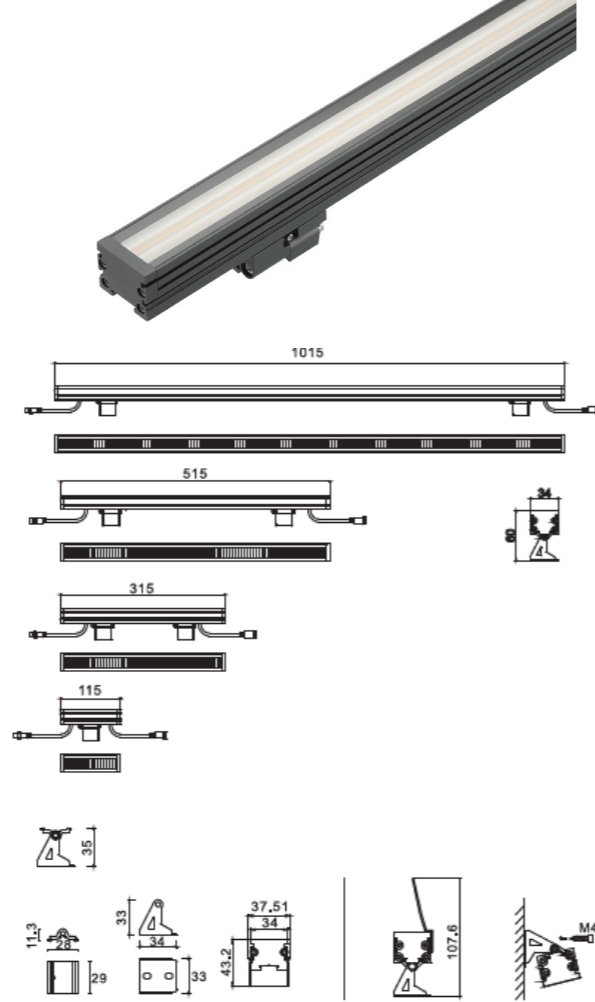
LLV.CA11D26.11

Material	Aluminum
Power	24W/M
IP	65
Beam angle	10/12/25/40/60/10*65/ 18*20/20*55 degree
Color temperature	3000K/4000K/6500K
Light efficiency	90lm/W
Color tendering index	≥90
Operating temperature	-20°C - 50°C
Lifespan	50.000hrs
Product Size	L100mm/L333.4mm/ L500mm/ L1000mm



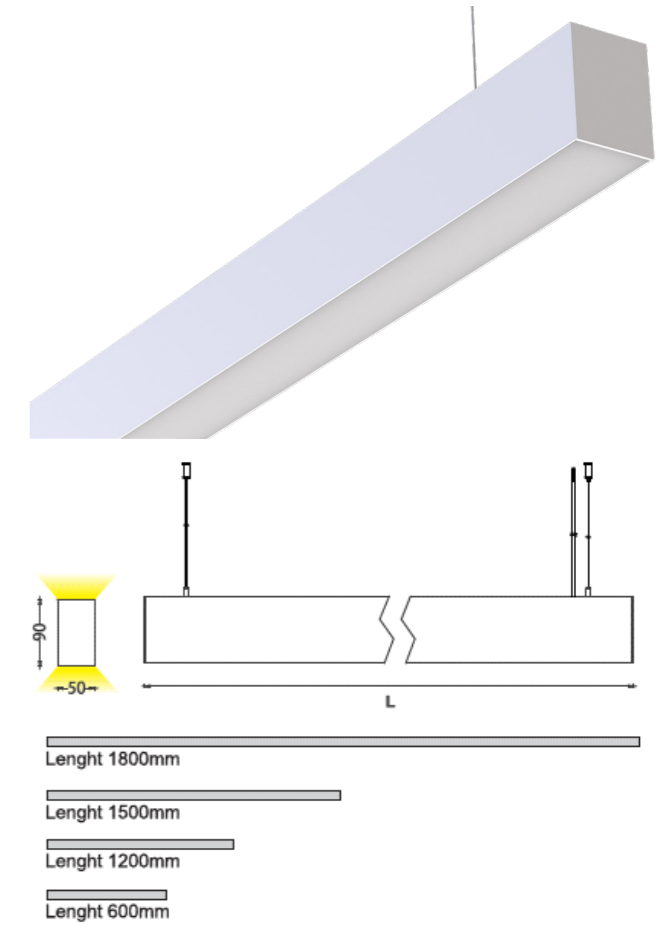
LLV.CA11D34.12

Material	Aluminum
Power	24W/M
IP	65
Beam angle	10*60 degree
Color temperature	3000K/4000K/6500K
Light efficiency	90lm/W
Color tendering index	≥90
Operating temperature	-20°C - 50°C
Lifespan	50.000hrs
Product Size	L115mm/ L315mm/ L515mm/ L1015mm



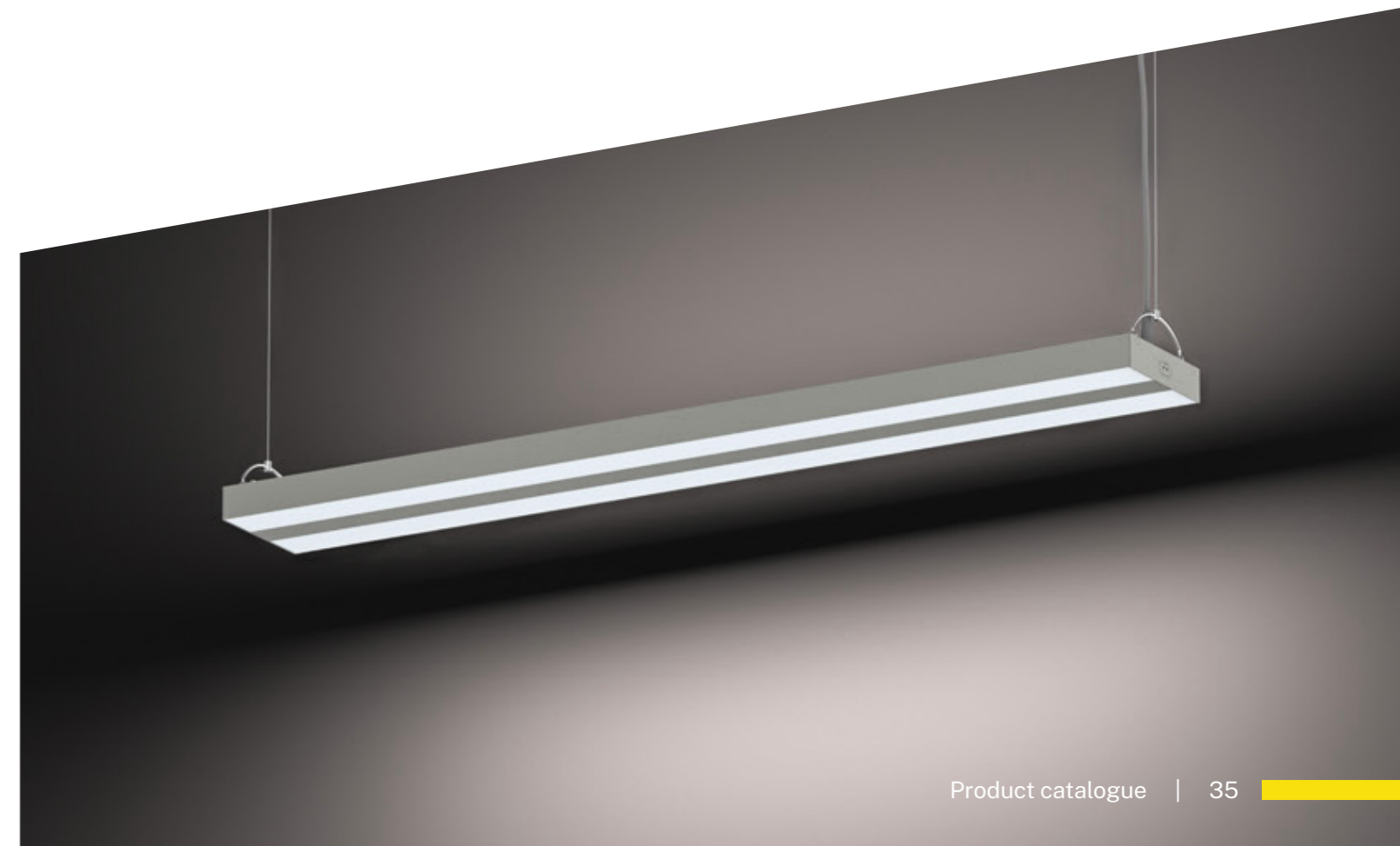
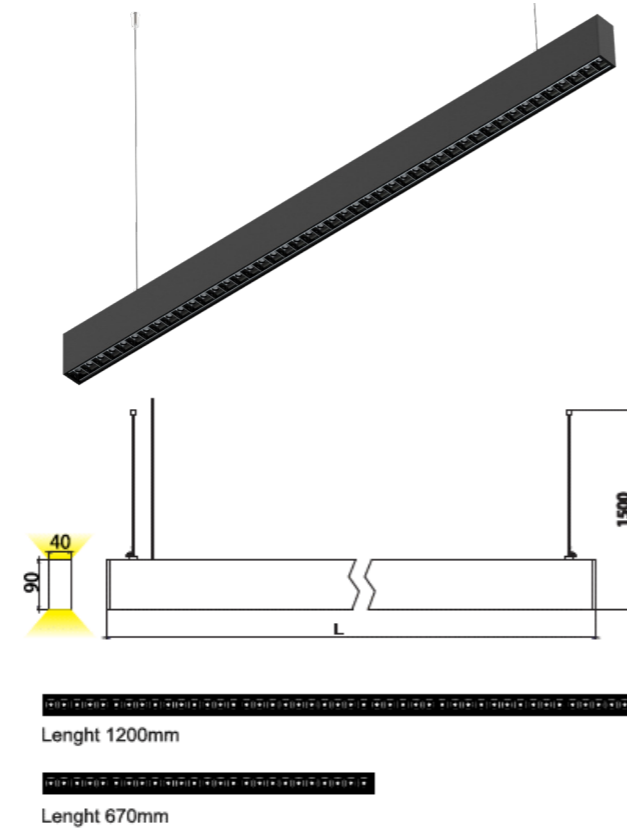
LLV.CA41D50.11

Material	Aluminum
Power	36W/M
IP	40
Beam angle	10*60 degree
Color temperature	3000K/4000K/6500K
Light efficiency	1890lm/m
Color tendering index	≥90
Operating temperature	-20°C - 50°C
Lifespan	50.000hrs
Product Size	L1800mm/ L1500mm/ L1200mm/ L600mm



LLV.CA41D40.11

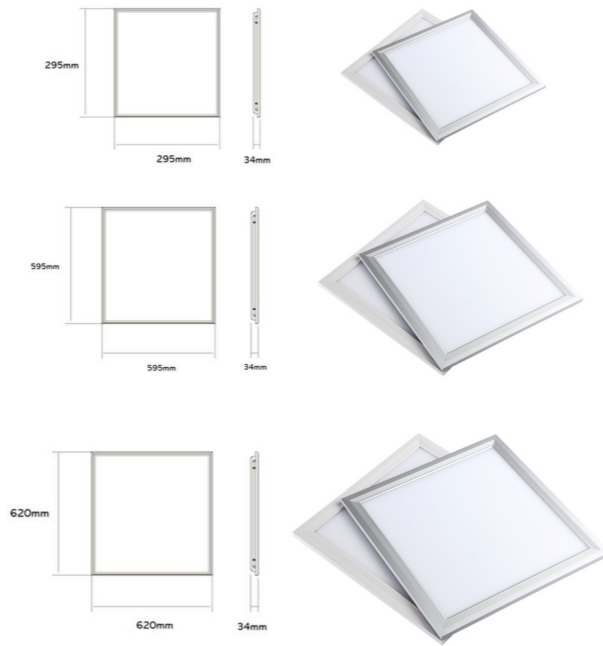
Material	Aluminum
Power	36W/M
IP	40
Beam angle	24/36/48 degree
Color temperature	3000K/4000K/6500K
Light efficiency	3150lm/m
Color tendering index	≥90
Operating temperature	-20°C - 50°C
Lifespan	50.000hrs
Product Size	L670mm/L1200mm



Panel Light

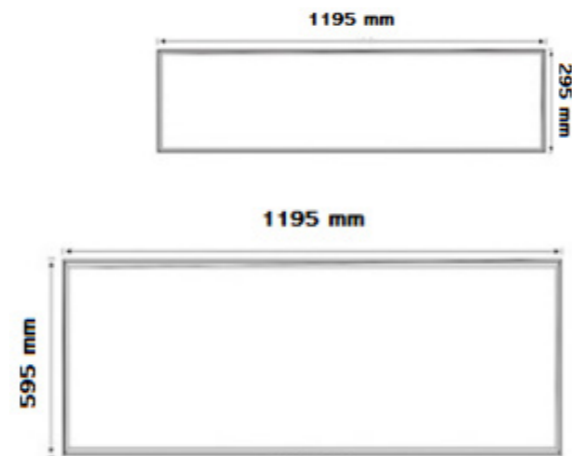
LLV.S-BL0303 (295*295mm)/
 LLV.S-BL0606 (595*595mm)/
 LLV.S-BL6262 (620*620mm)

Material	Aluminum
Power	18-80W LED Optinal
IP	IP20/IP54 (Front)/IP65 (front)
Beam angle	120 degree
Color temperature	3000K/4000K/6500K
Light efficiency	120lm/W, 135lm/W, 160lm/W, 180lm/W, 200lm/W Optional
Color tendering index	80, 90, 95, 98 Optional
Operating temperature	-20°C - 50°C
Lifespan	50.000hrs



LLV.S-BL1203 (1195*295mm)/
 LLV.S-BL1206 (1195*595mm)

Material	Aluminum
Power	18-80W LED Optinal
IP	IP20/IP54 (Front)/IP65 (front)
Beam angle	120 degree
Color temperature	3000K/4000K/6500K
Light efficiency	120lm/W, 135lm/W, 160lm/W, 180lm/W, 200lm/W Optional
Color tendering index	80, 90, 95, 98 Optional
Operating temperature	-20°C - 50°C
Lifespan	50.000hrs



Weatherproof Batten

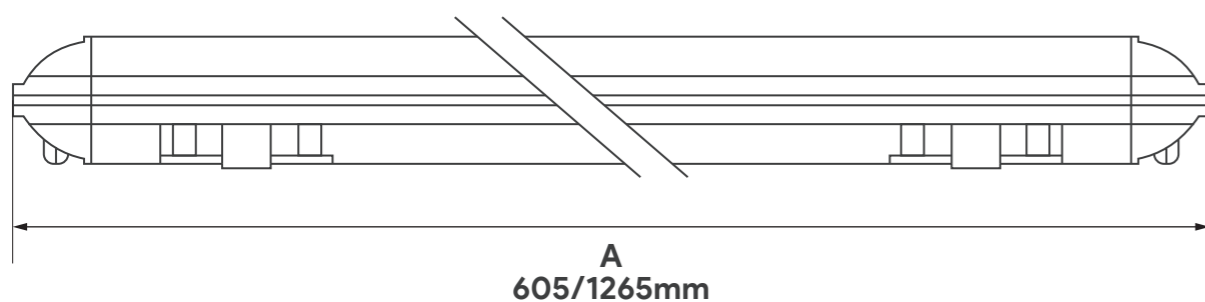


LLV.MS-BT600-10W/20W

Material	Polycarbonate body + ABS diffuser
Power	10W/ 20W
IP	65
Beam angle	120 degree
Color temperature	3000K/4000K/6500K
Light efficiency	1000lm/ 2000lm
Color tendering index	≥80
Operating temperature	-25~45°C
Lifespan	50.000hrs
Product Size	L605*W100*H80mm

LLV.MS-BT1200-20W/40W

Material	Polycarbonate body + ABS diffuser
Power	20W/ 40W
IP	65
Beam angle	120 degree
Color temperature	3000K/4000K/6500K
Light efficiency	2000lm/ 4000lm
Color tendering index	≥80
Operating temperature	-25~45°C
Lifespan	50.000hrs
Product Size	L1265*W100*H80mm

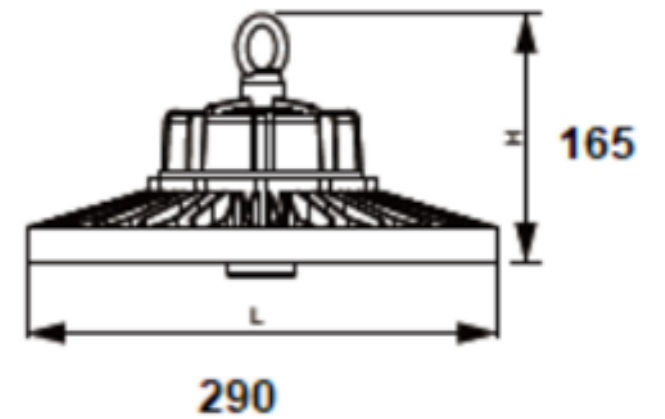


Highbay



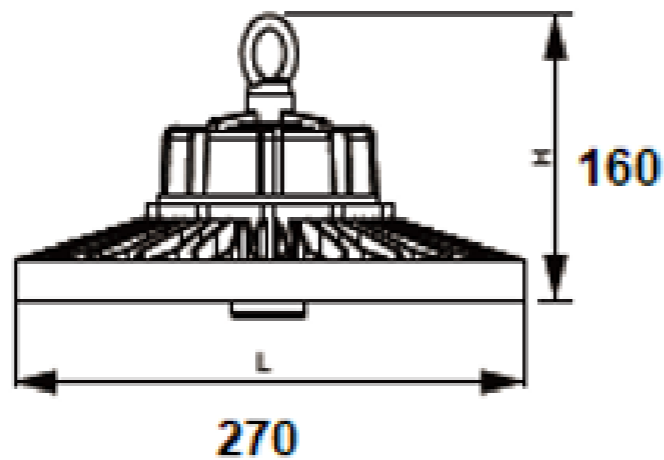
LLV.MS-SP267120/LLV.MS-SP268150

Material	Die-cast aluminium + PC lens
Power	120W/150W
IP	65
Beam angle	60/90/120 degree
Color temperature	3000K/4000K/6500K
Light efficiency	21000lm/ 26250lm
Color tendering index	≥80
Operating temperature	-40~50°C
Lifespan	50.000hrs
Product Size	D290XH165mm With U- braket



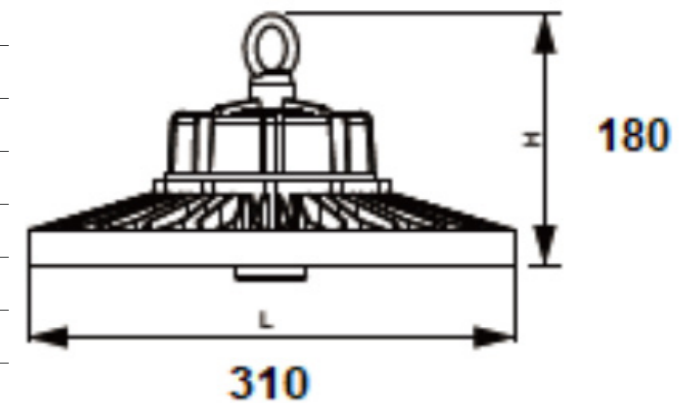
LLV.MS-SP265080/ LLV.MS-SP266100

Material	Die-cast aluminium + PC lens
Power	80W/ 100W
IP	65
Beam angle	60/90/120 degree
Color temperature	3000K/4000K/6500K
Light efficiency	11200lm/ 14000lm
Color tendering index	≥80
Operating temperature	-40~50°C
Lifespan	50.000hrs
Product Size	D270XH160mm With U- braket



LLV.MS-SP269200

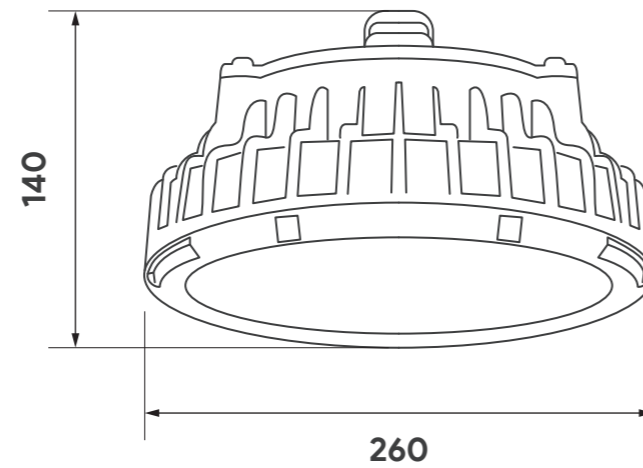
Material	Die-cast aluminium + PC lens
Power	200W
IP	65
Beam angle	60/90/120 degree
Color temperature	3000K/4000K/6500K
Light efficiency	28000lm
Color tendering index	≥80
Operating temperature	-40~50°C
Lifespan	50.000hrs
Product Size	D310XH180mm With U- braket



Explosion-Proof LED Highbay

LLV.MS-EPL68-100Ag/150Ag

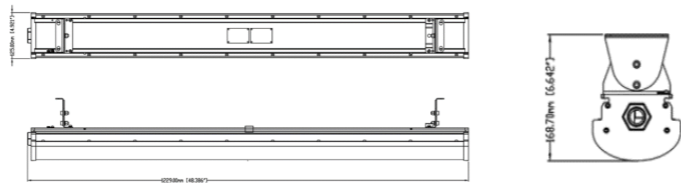
Material	Die-cast aluminium Temper glass with PC lens
Power	100W/ 150W
IP	66
Beam angle	90 degree
Color temperature	3000K/4000K/6500K
Light efficiency	15000lm/ 22500lm
Color tendering index	≥80
Operating temperature	-20 ~ +40°C
Lifespan	50.000hrs
Product Size	D260XH140mm With U-Shape bracket



Explosion-Proof Linear Light

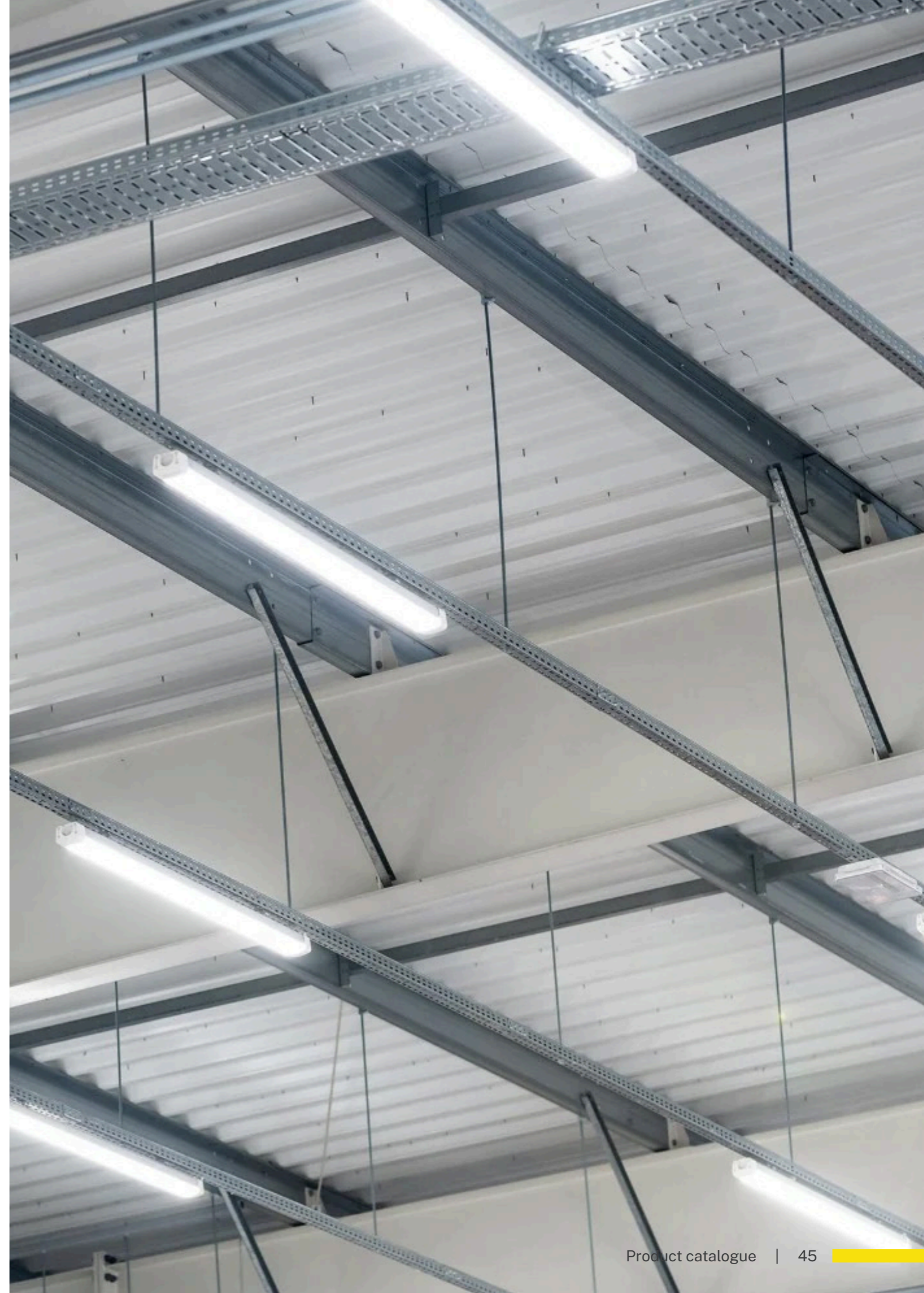
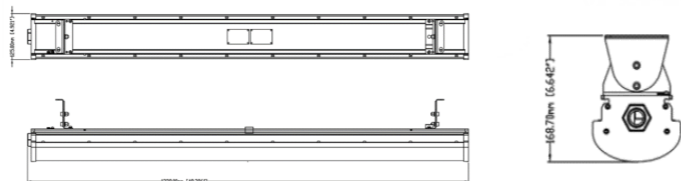
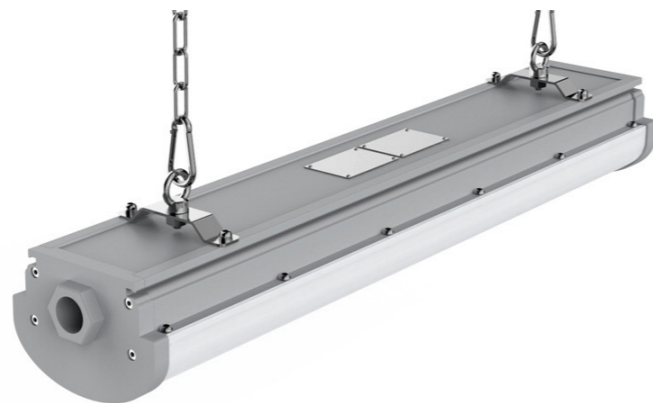
LLV.MS-SPLN-10W/20W

Material	Die-cast aluminium
Power	10W/ 20W
IP	66
Beam angle	120 degree
Color temperature	3000K/4000K/6500K
Light efficiency	1200lm/ 2400lm
Color tendering index	≥70
Operating temperature	-40~50°C
Lifespan	50.000hrs
Product Size	L629 x W125 x H168.7mm



LLV.MS-SPLN-20W/40W

Material	Die-cast aluminium
Power	20W/ 40W
IP	66
Beam angle	120 degree
Color temperature	3000K/4000K/6500K
Light efficiency	2400lm/ 4800lm
Color tendering index	≥70
Operating temperature	-40~50°C
Lifespan	50.000hrs
Product Size	L1229 x W125 x H168.7mm

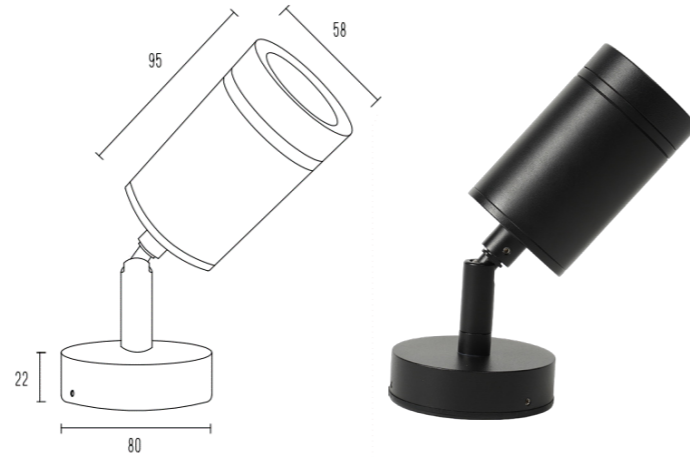


Spike/Spot Light



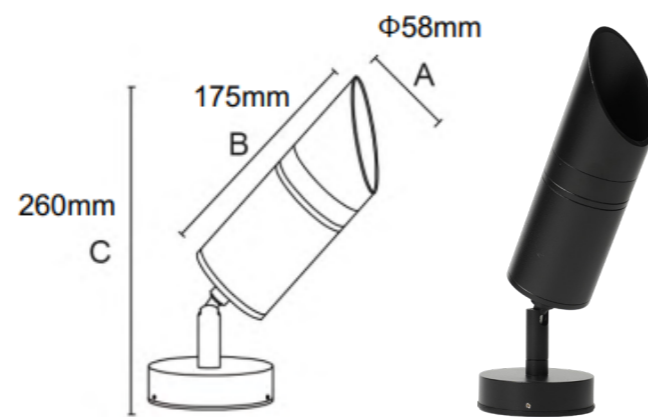
LLV.MB18-604

Material	Aluminium + Glass
Power	10W
IP	65
Beam angle	15/24/38/45/60 degree
Operating temperature	-40~50°C
Color temperature	3000K/4000K/6500K
Light efficiency	700lm
Color tendering index	≥80
Lifespan	50.000hrs
Product Size	H95mm x Ø58mm



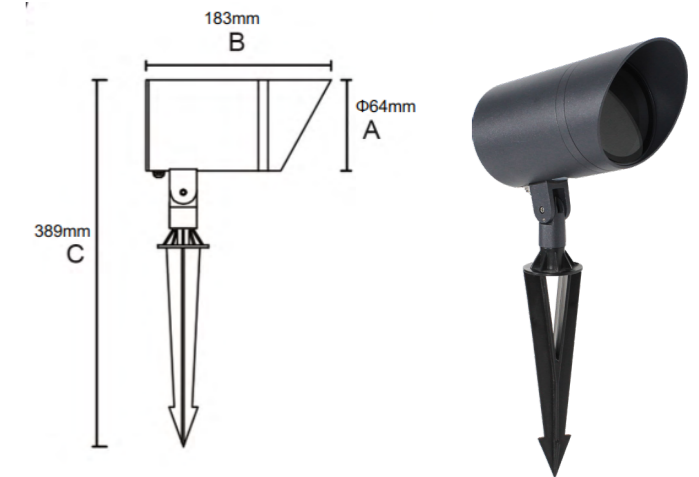
LLV.MB18-606

Material	Aluminium + Glass
Power	10W
IP	65
Beam angle	15/24/38/45/60 degree
Operating temperature	-40~50°C
Color temperature	3000K/4000K/6500K
Light efficiency	700lm
Color tendering index	≥80
Lifespan	50.000hrs
Product Size	H175mm x Ø58mm



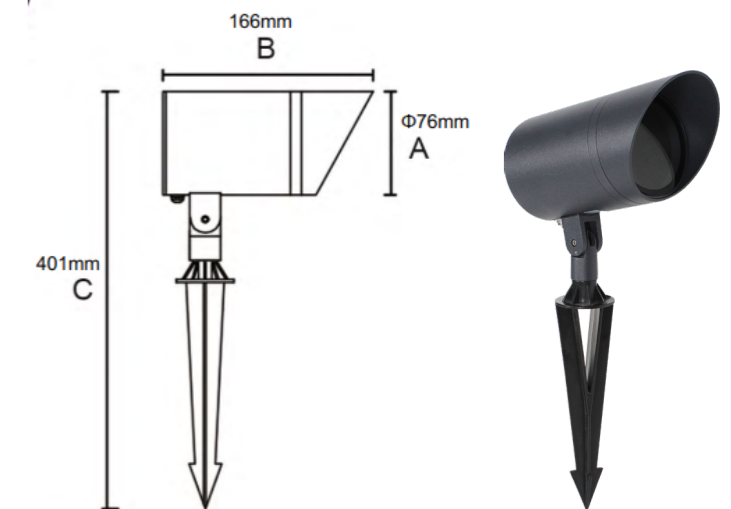
LLV.MB18-161-64

Material	Aluminium + Glass
Power	10W
IP	65
Beam angle	15/24/38/45/60 degree
Color temperature	3000K/4000K/6500K
Light efficiency	700lm
Color tendering index	≥80
Lifespan	50.000hrs
Product Size	H183mm x Ø64mm



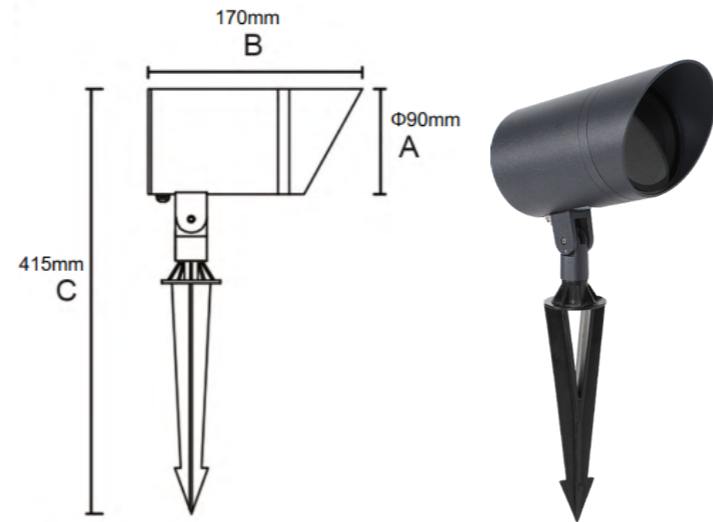
LLV.MB18-616-76

Material	Aluminium + Glass
Power	15W
IP	65
Beam angle	15/24/38/45/60 degree
Operating temperature	-40~50°C
Color temperature	3000K/4000K/6500K
Light efficiency	1050lm
Color tendering index	≥80
Lifespan	50.000hrs
Product Size	H166mm x Ø76mm



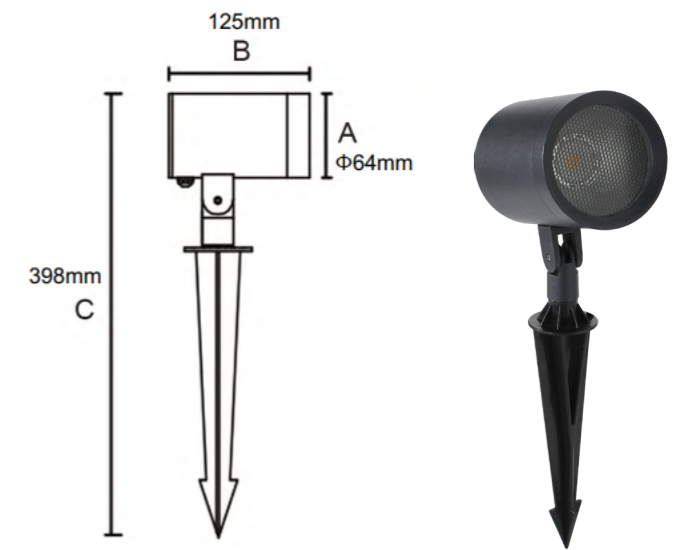
LLV.MB18-616-90

Material	Aluminium + Glass
Power	20W
IP	65
Beam angle	15/24/38/45/60 degree
Operating temperature	-40~50°C
Color temperature	3000K/4000K/6500K
Light efficiency	1400lm
Color tendering index	≥80
Lifespan	50.000hrs
Product Size	H170mm x Φ90mm



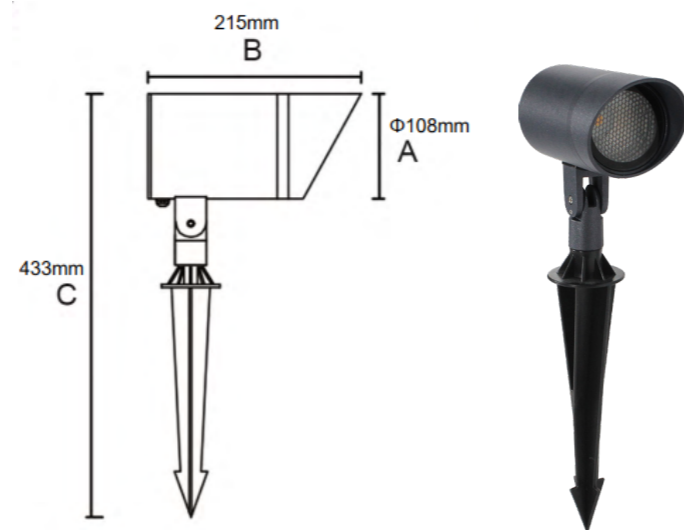
LLV.MB18-617-64

Material	Aluminium + Glass
Power	10W
IP	65
Beam angle	15/24/38/45/60 degree
Color temperature	3000K/4000K/6500K
Light efficiency	700lm
Color tendering index	≥80
Lifespan	50.000hrs
Product Size	H125mm x Φ64mm



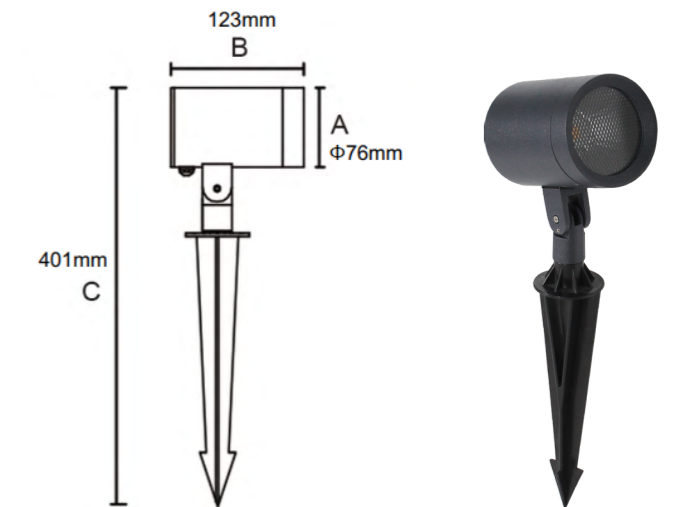
LLV.MB18-616-108

Material	Aluminium + Glass
Power	30W
IP	65
Beam angle	15/24/38/45/60 degree
Operating temperature	-40~50°C
Color temperature	3000K/4000K/6500K
Light efficiency	2100lm
Color tendering index	≥80
Lifespan	50.000hrs
Product Size	H215mm x Φ108mm



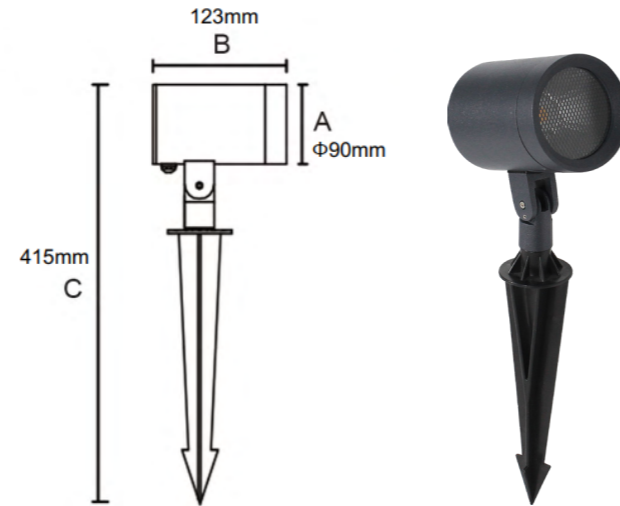
LLV.MB18-617-76

Material	Aluminium + Glass
Power	15W
IP	65
Beam angle	15/24/38/45/60 degree
Operating temperature	-40~50°C
Color temperature	3000K/4000K/6500K
Light efficiency	1050lm
Color tendering index	≥80
Lifespan	50.000hrs
Product Size	H123mm x Φ76mm



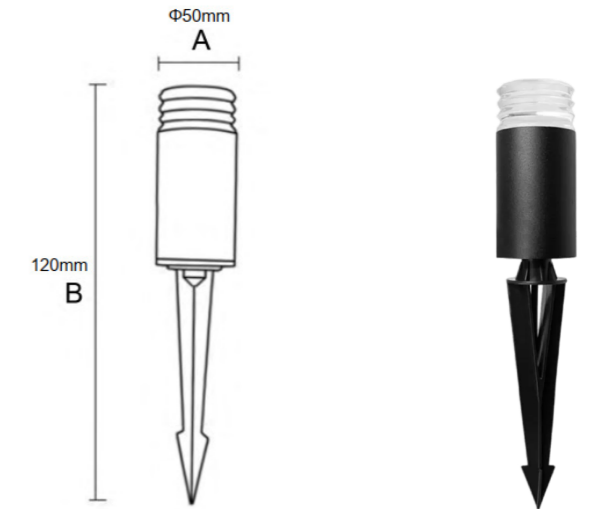
LLV.MB18-617-90

Material	Aluminium + Glass
Power	20W
IP	65
Beam angle	15/24/38/45/60 degree
Operating temperature	-40~50°C
Color temperature	3000K/4000K/6500K
Light efficiency	1400lm
Color tendering index	≥80
Lifespan	50.000hrs
Product Size	H123mm x Φ90mm



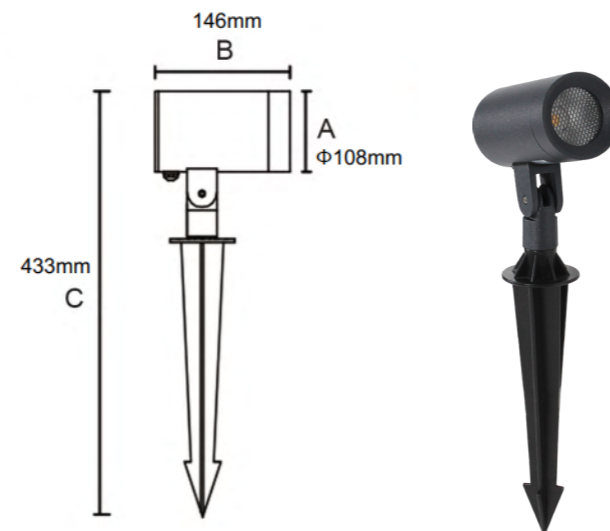
LLV.MB-60129S

Material	Aluminium + Glass
Power	3W
IP	65
Operating temperature	-40~50°C
Color temperature	3000K/4000K/6500K
Light efficiency	210lm
Color tendering index	≥80
Lifespan	50.000hrs
Product Size	H120mm x Φ50mm



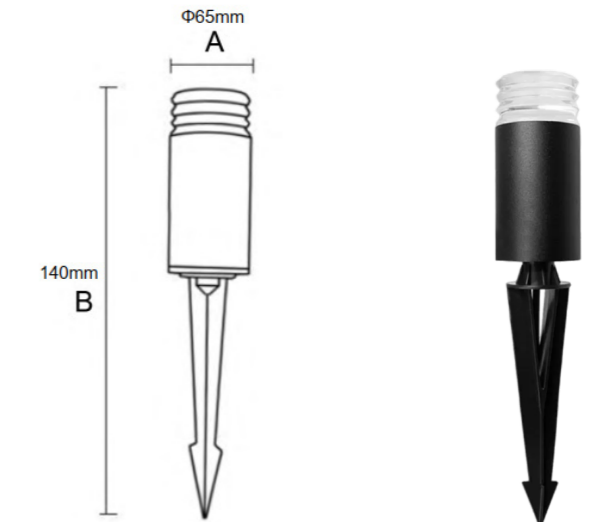
LLV.MB18-617-108

Material	Aluminium + Glass
Power	30W
IP	65
Beam angle	15/24/38/45/60 degree
Operating temperature	-40~50°C
Color temperature	3000K/4000K/6500K
Light efficiency	2100lm
Color tendering index	≥80
Lifespan	50.000hrs
Product Size	H146mm x Φ108mm



LLV.MB-60129L

Material	Aluminium + Glass
Power	5W
IP	65
Operating temperature	-40~50°C
Color temperature	3000K/4000K/6500K
Light efficiency	350lm
Color tendering index	≥80
Lifespan	50.000hrs
Product Size	H140mm x Φ65mm

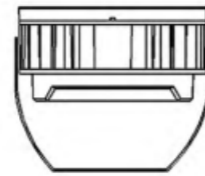


LLV.MB23-0605129

Material	Aluminium + Glass
Power	12W
IP	65
Operating temperature	-40~50°C
Color temperature	3000K/4000K/6500K
Light efficiency	840lm
Color tendering index	≥80
Lifespan	50.000hrs
Product Size	H120mm x Φ129mm



A
Φ129mm



120mm
B

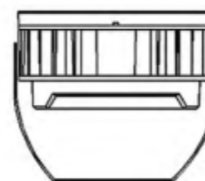


LLV.MB23-0605154

Material	Aluminium + Glass
Power	18W
IP	65
Operating temperature	-40~50°C
Color temperature	3000K/4000K/6500K
Light efficiency	1260lm
Color tendering index	≥80
Lifespan	50.000hrs
Product Size	H135mm x Φ154mm



A
Φ154mm

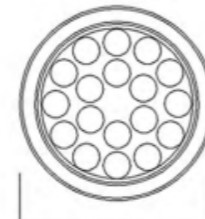


135mm
B

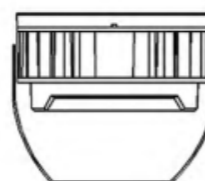


LLV.MB23-0605178

Material	Aluminium + Glass
Power	24W
IP	65
Operating temperature	-40~50°C
Color temperature	3000K/4000K/6500K
Light efficiency	1680lm
Color tendering index	≥80
Lifespan	50.000hrs
Product Size	H148mm x Φ178mm



A
Φ178mm



148mm
B



LLV.MB23-0605203

Material	Aluminium + Glass
Power	36W
IP	65
Operating temperature	-40~50°C
Color temperature	3000K/4000K/6500K
Light efficiency	2520lm
Color tendering index	≥80
Lifespan	50.000hrs
Product Size	H165mm x Φ203mm



A
Φ203mm

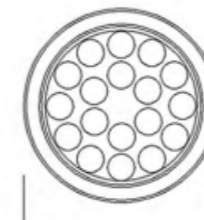


165mm
B



LLV.MB23-0605232

Material	Aluminium + Glass
Power	50W
IP	65
Operating temperature	-40~50°C
Color temperature	3000K/4000K/6500K
Light efficiency	3500lm
Color tendering index	≥80
Lifespan	50.000hrs
Product Size	H175mm x Φ232mm



A
Φ232mm



175mm
B

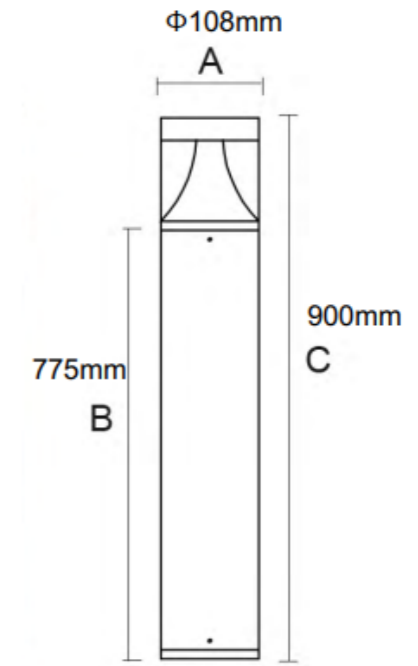


Bollard Light



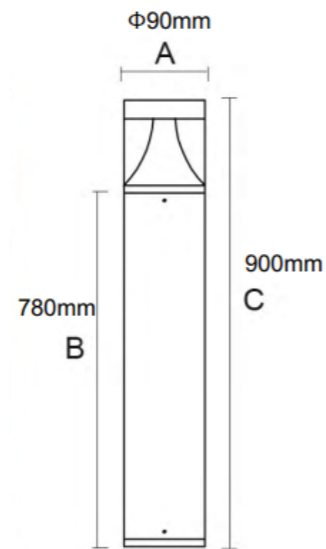
LLV.MB18-C001A-900

Material	Aluminium + PC
Power	9W
IP	54
Operating temperature	-40~50°C
Color temperature	3000K/4000K/6500K
Light efficiency	630lm
Color tendering index	≥80
Lifespan	50.000hrs
Product Size	H900mm x Φ108mm



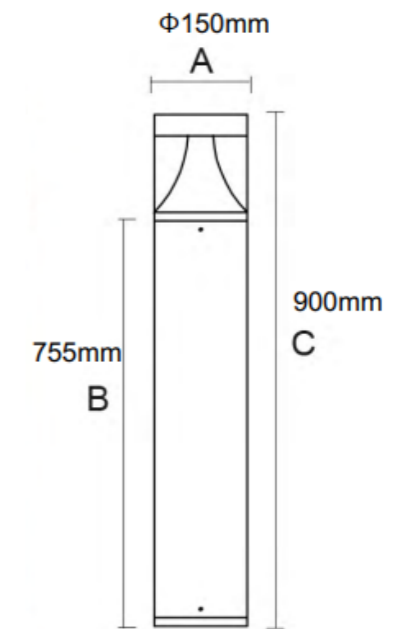
LLV.MB18-C001A-900

Material	Aluminium + PC
Power	6W
IP	54
Operating temperature	40~50°C
Color temperature	3000K/4000K/6500K
Light efficiency	420lm
Color tendering index	≥80
Lifespan	50.000hrs
Product Size	H900mm x Φ90mm



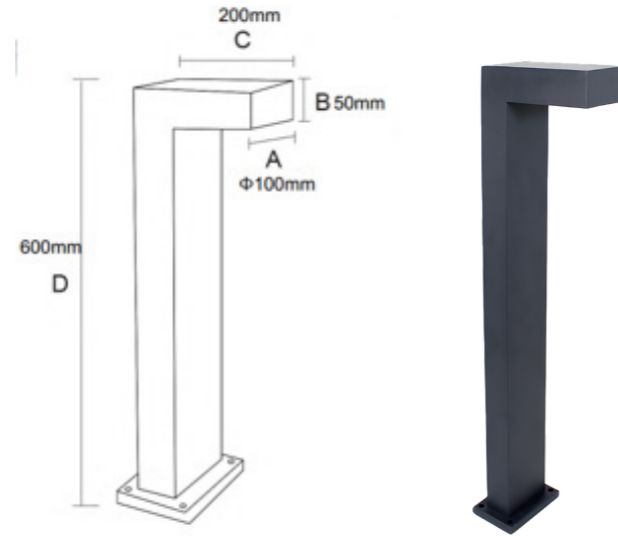
LLV.MB18-C001A-900

Material	Aluminium + PC
Power	12W
IP	54
Operating temperature	-40~50°C
Color temperature	3000K/4000K/6500K
Light efficiency	840lm
Color tendering index	≥80
Lifespan	50.000hrs
Product Size	H900mm x Φ150mm



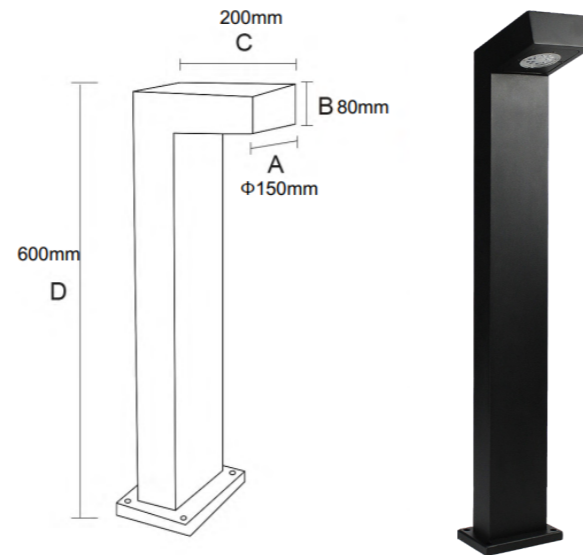
LLV.MB18-C021A

Material	Aluminium + Glass
Power	10W
IP	54
Operating temperature	-40~50°C
Color temperature	3000K/4000K/6500K
Light efficiency	700lm
Color tendering index	≥80
Lifespan	50.000hrs
Product Size	H600mm x W200mm



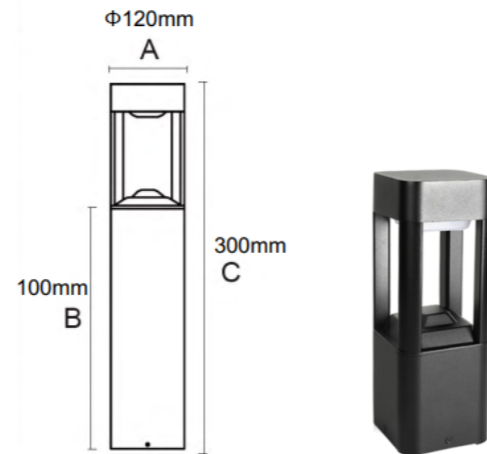
LLV.MB18-C021B

Material	Aluminium + Glass
Power	10W
IP	54
Operating temperature	-40~50°C
Color temperature	3000K/4000K/6500K
Light efficiency	700lm
Color tendering index	≥80
Lifespan	50.000hrs
Product Size	H600mm x W200mm



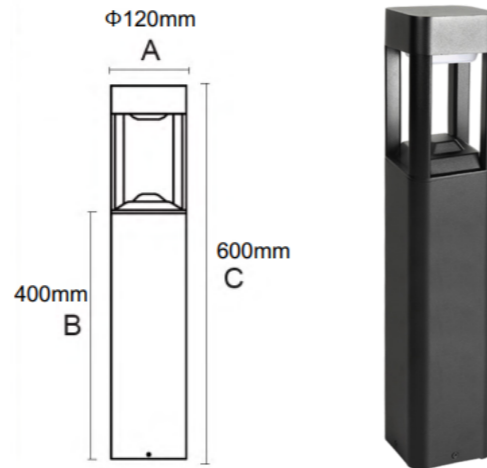
LLV.MB19-C001A

Material	Aluminium + PC
Power	10W
IP	54
Operating temperature	-40~50°C
Color temperature	3000K/4000K/6500K
Light efficiency	700lm
Color tendering index	≥80
Lifespan	50.000hrs
Product Size	H300mm x Φ120mm



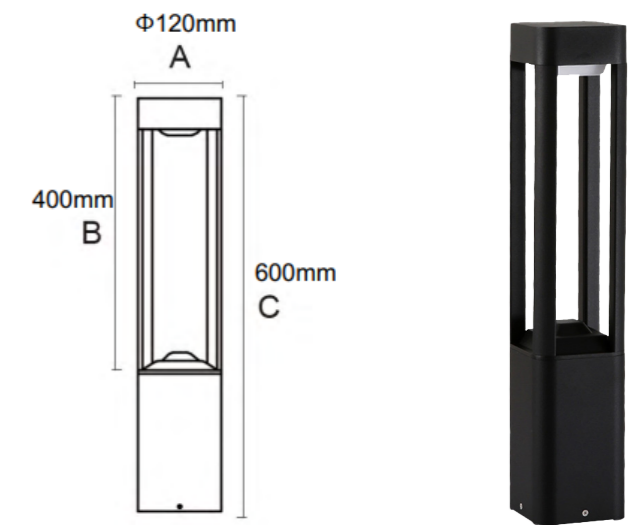
LLV.MB19-C001B

Material	Aluminium + PC
Power	10W
IP	54
Operating temperature	-40~50°C
Color temperature	3000K/4000K/6500K
Light efficiency	700lm
Color tendering index	≥80
Lifespan	50.000hrs
Product Size	H600mm x Φ120mm



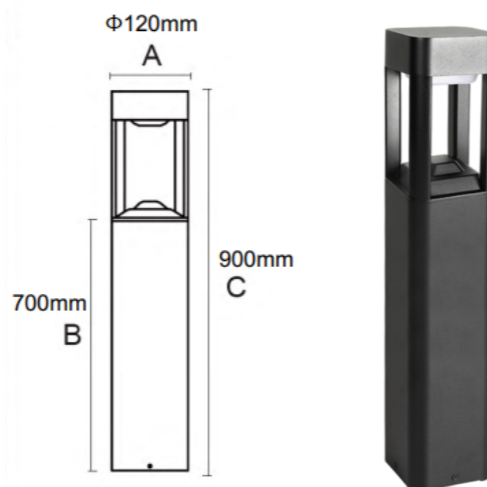
LLV.MB19-C002A

Material	Aluminium + PC
Power	10W
IP	54
Operating temperature	-40~50°C
Color temperature	3000K/4000K/6500K
Light efficiency	700lm
Color tendering index	≥80
Lifespan	50.000hrs
Product Size	H600mm x Φ120mm



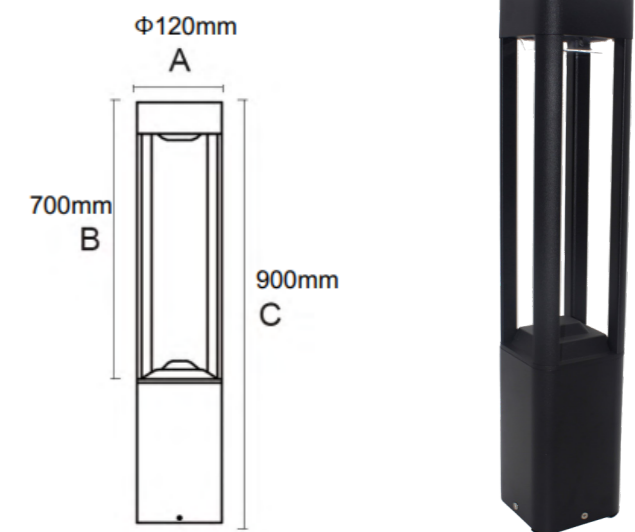
LLV.MB19-C001C

Material	Aluminium + PC
Power	10W
IP	54
Operating temperature	-40~50°C
Color temperature	3000K/4000K/6500K
Light efficiency	700lm
Color tendering index	≥80
Lifespan	50.000hrs
Product Size	H900mm x Φ120mm



LLV.MB19-C002A

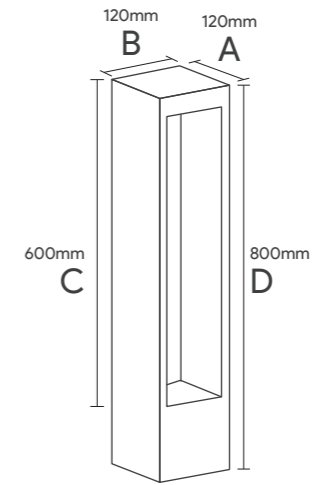
Material	Aluminium + PC
Power	10W
IP	54
Operating temperature	-40~50°C
Color temperature	3000K/4000K/6500K
Light efficiency	700lm
Color tendering index	≥80
Lifespan	50.000hrs
Product Size	H900mm x Φ120mm





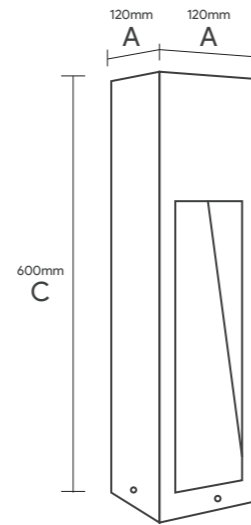
LLV.MB21-BL17/120B

Material	Aluminium + Glass
Power	10W
IP	54
Operating temperature	-40~50°C
Color temperature	3000K/4000K/6500K
Light efficiency	700lm
Color tendering index	≥80
Lifespan	50.000hrs
Product Size	L120 x W120 x H800mm



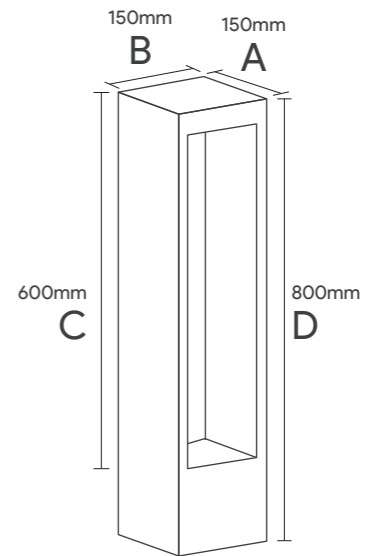
LLV.MB18-C015A

Material	Aluminium + Glass
Power	10W
IP	54
Operating temperature	-40~50°C
Color temperature	3000K/4000K/6500K
Light efficiency	700lm
Color tendering index	≥80
Lifespan	50.000hrs
Product Size	L120 x W120 x H600mm



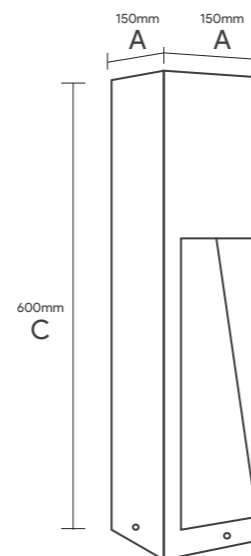
LLV.MB21-BL17/150B

Material	Aluminium + Glass
Power	10W
IP	54
Operating temperature	-40~50°C
Color temperature	3000K/4000K/6500K
Light efficiency	700lm
Color tendering index	≥80
Lifespan	50.000hrs
Product Size	L150 x W150 x H800mm



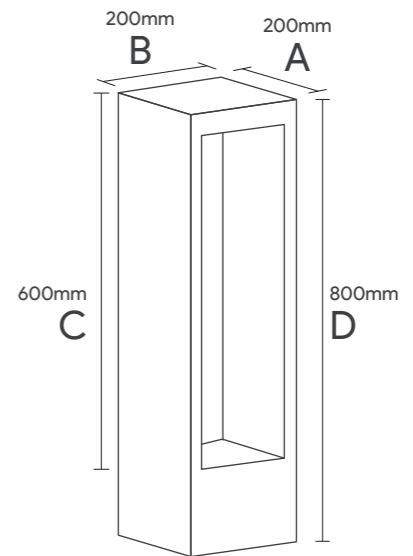
LLV.MB18-C015B

Material	Aluminium + Glass
Power	10W
IP	54
Operating temperature	-40~50°C
Color temperature	3000K/4000K/6500K
Light efficiency	700lm
Color tendering index	≥80
Lifespan	50.000hrs
Product Size	L150 x W150 x H600mm



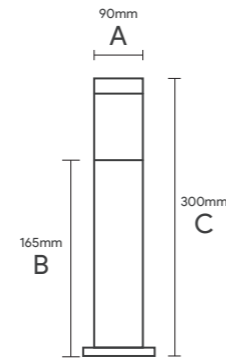
LLV.MB21-BL17/200B

Material	Aluminium + Glass
Power	10W
IP	54
Operating temperature	-40~50°C
Color temperature	3000K/4000K/6500K
Light efficiency	700lm
Color tendering index	≥80
Lifespan	50.000hrs
Product Size	L200 x W200 x H800mm



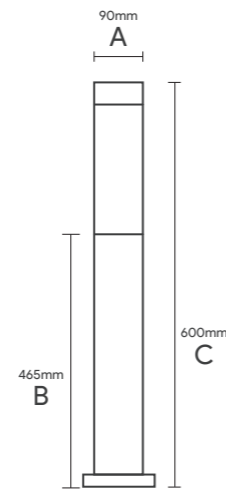
LLV.MB21-BL13A

Material	Aluminium + Acrylic
Power	7W
IP	54
Operating temperature	-40~50°C
Color temperature	3000K/4000K/6500K
Light efficiency	490lm
Color tendering index	≥80
Lifespan	50.000hrs
Product Size	H300mm x 90mm



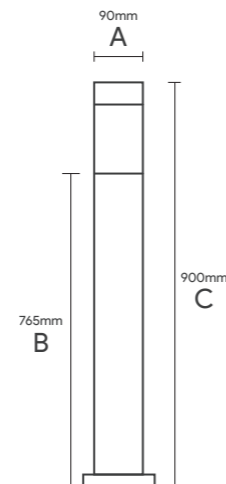
LLV.MB21-BL13B

Material	Aluminium + Acrylic
Power	7W
IP	54
Operating temperature	-40~50°C
Color temperature	3000K/4000K/6500K
Light efficiency	490lm
Color tendering index	≥80
Lifespan	50.000hrs
Product Size	H600mm x 90mm



LLV.MB21-BL13C

Material	Aluminium + Acrylic
Power	7W
IP	54
Operating temperature	-40~50°C
Color temperature	3000K/4000K/6500K
Light efficiency	490lm
Color tendering index	≥80
Lifespan	50.000hrs
Product Size	H900mm x 90mm

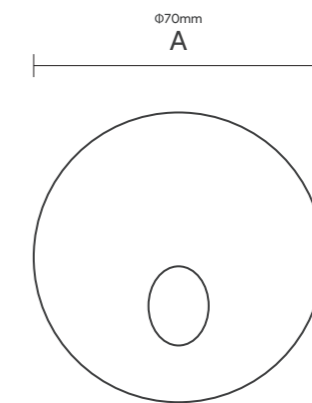


Step Light



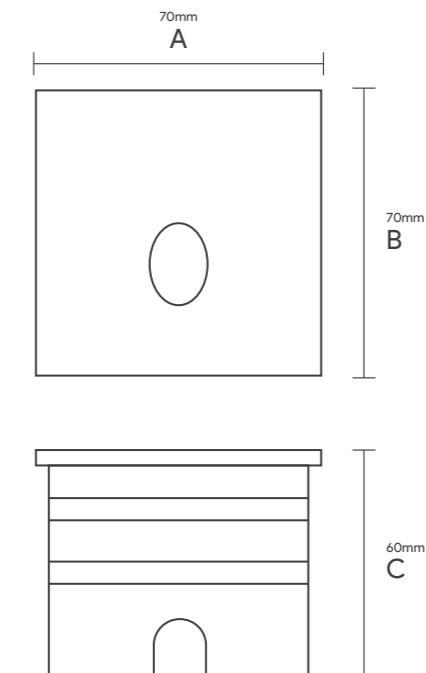
LLV.MB18-QJ14

Material	Aluminium + PC
Power	2W
IP	54
Operating temperature	-40~50°C
Color temperature	3000K/4000K/6500K
Light efficiency	140lm
Color tendering index	≥80
Lifespan	50.000hrs
Product Size	Ø70mm



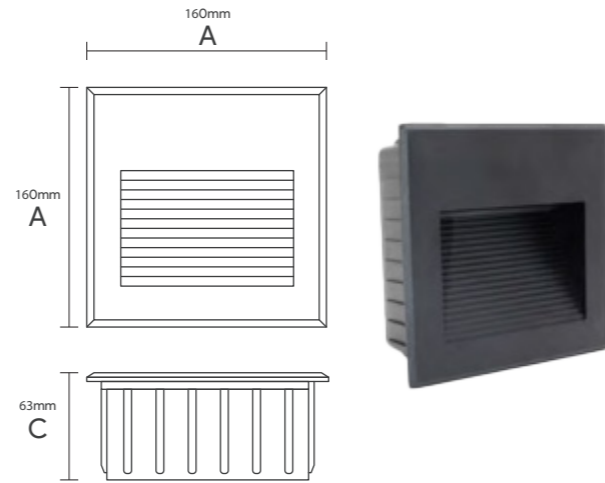
LLV.MB18-QJ14-1

Material	Aluminium + PC
Power	2W
IP	54
Operating temperature	-40~50°C
Color temperature	3000K/4000K/6500K
Light efficiency	140lm
Color tendering index	≥80
Lifespan	50.000hrs
Product Size	L70 x W70 x H60mm



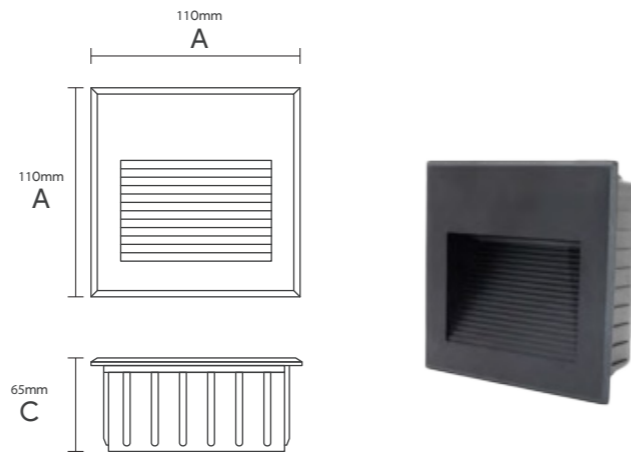
LLV.MB18-QJ16

Material	Aluminium + Glass
Power	7W
IP	54
Operating temperature	-40~50°C
Color temperature	3000K/4000K/6500K
Light efficiency	490lm
Color tendering index	≥80
Lifespan	50.000hrs
Product Size	L160 x W160 x H63mm



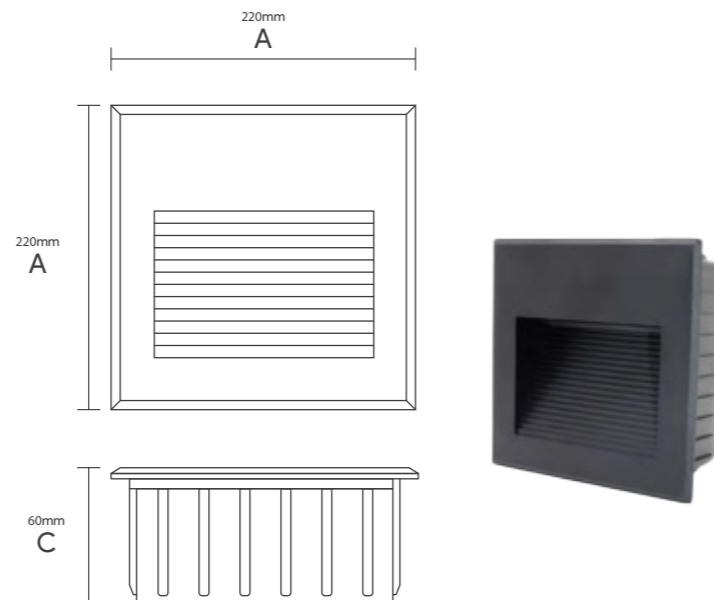
LLV.MB23-0305110

Material	Aluminium + Glass
Power	5W
IP	54
Operating temperature	-40~50°C
Color temperature	3000K/4000K/6500K
Light efficiency	350lm
Color tendering index	≥80
Lifespan	50.000hrs
Product Size	L110 x W110 x H65mm



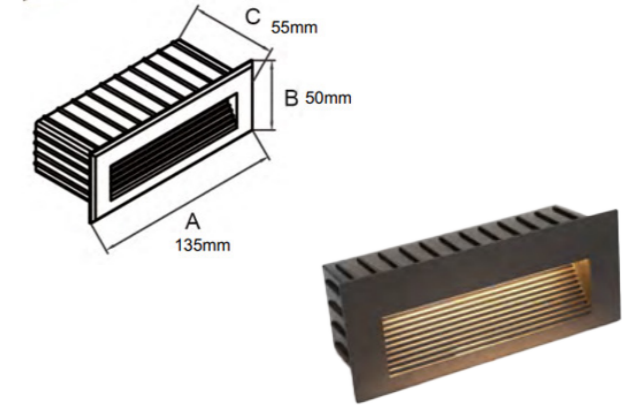
LLV.MB23-0305220

Material	Aluminium + Glass
Power	10W
IP	54
Operating temperature	-40~50°C
Color temperature	3000K/4000K/6500K
Light efficiency	700lm
Color tendering index	≥80
Lifespan	50.000hrs
Product Size	L220 x W220 x H60mm



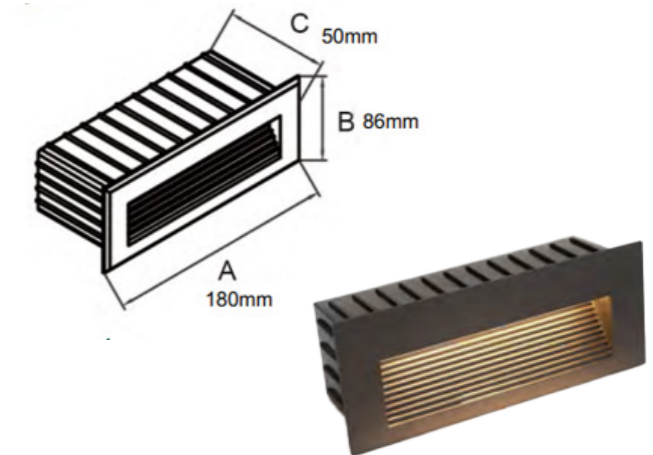
LLV.MB23-0311

Material	Aluminium + Glass
Power	5W
IP	54
Operating temperature	-40~50°C
Color temperature	3000K/4000K/6500K
Light efficiency	350lm
Color tendering index	≥80
Lifespan	50.000hrs
Product Size	L135 x W50 x H55mm



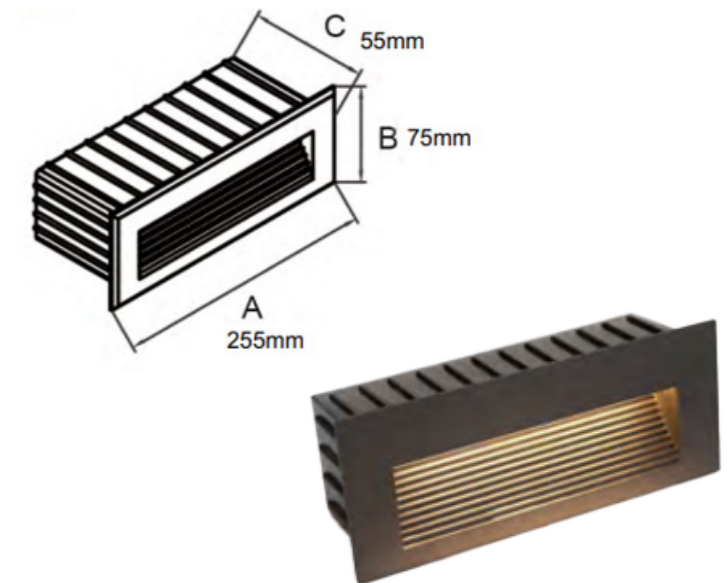
LLV.MB23-0314

Material	Aluminium + Glass
Power	7W
IP	54
Operating temperature	-40~50°C
Color temperature	3000K/4000K/6500K
Light efficiency	490lm
Color tendering index	≥80
Lifespan	50.000hrs
Product Size	L180 x W86 x H50mm



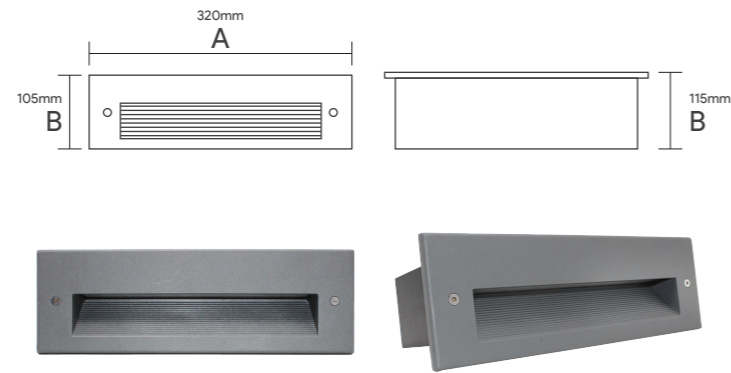
LLV.MB23-0318

Material	Aluminium + Glass
Power	10W
IP	54
Operating temperature	-40~50°C
Color temperature	3000K/4000K/6500K
Light efficiency	700lm
Color tendering index	≥80
Lifespan	50.000hrs
Product Size	L255 x W75 x H55mm



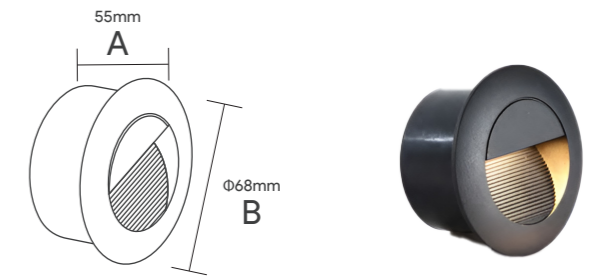
LLV.MB50113L

Material	Aluminium + Acrylic
Power	10-20W
IP	65
Operating temperature	-40~50°C
Color temperature	3000K/4000K/6500K
Light efficiency	700lm
Color tendering index	≥80
Lifespan	50.000hrs
Product Size	L320 x W105 x H115mm



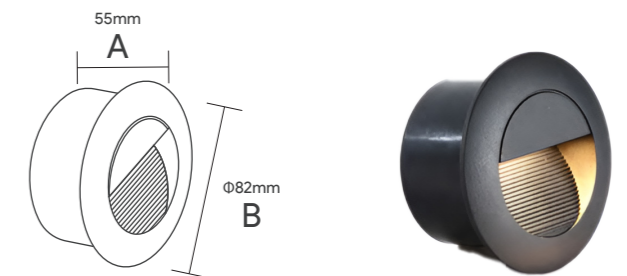
LLV.MB23-030468

Material	Aluminium + Glass
Power	3W
IP	54
Operating temperature	-40~50°C
Color temperature	3000K/4000K/6500K
Light efficiency	210lm
Color tendering index	≥80
Lifespan	50.000hrs
Product Size	H55mm x Ø68mm



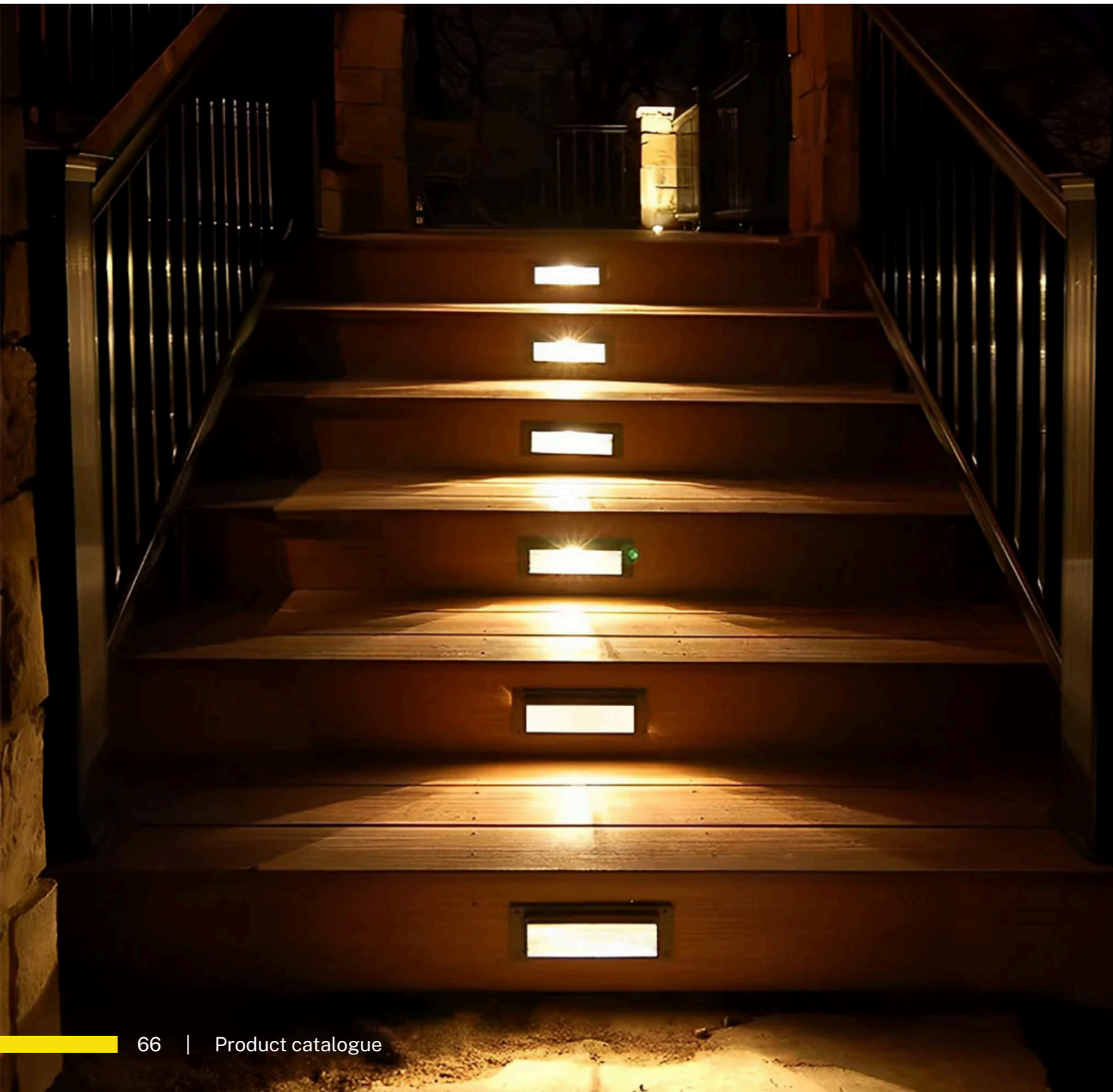
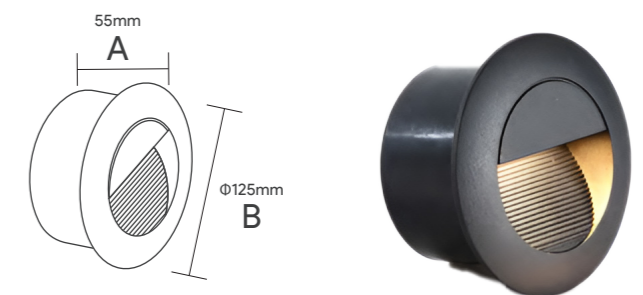
LLV.MB23-030482

Material	Aluminium + Glass
Power	3W
IP	54
Operating temperature	-40~50°C
Color temperature	3000K/4000K/6500K
Light efficiency	210lm
Color tendering index	≥80
Lifespan	50.000hrs
Product Size	H55mm x Ø82mm

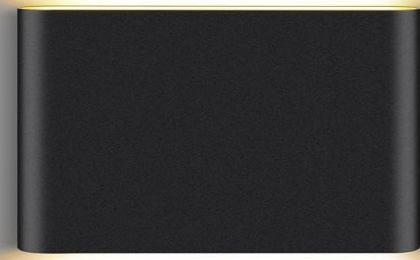


LLV.MB23-0304125

Material	Aluminium + Glass
Power	5W
IP	54
Operating temperature	-40~50°C
Color temperature	3000K/4000K/6500K
Light efficiency	350lm
Color tendering index	≥80
Lifespan	50.000hrs
Product Size	H55mm x Ø125mm

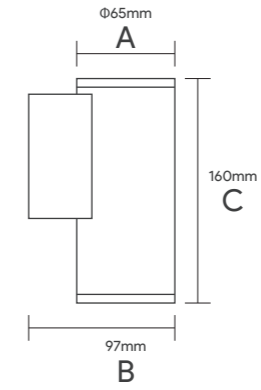


Wall Light



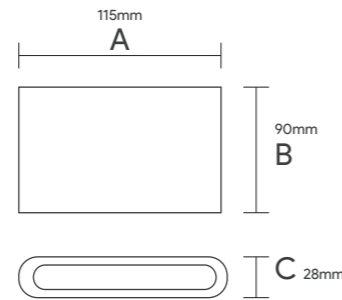
LLV.MB19-3001A

Material	Aluminium + Glass
Power	5W
IP	54
Operating temperature	-40~50°C
Color temperature	3000K/4000K/6500K
Light efficiency	350lm
Color tendering index	≥80
Lifespan	50.000hrs
Product Size	H160mm x Ø65mm



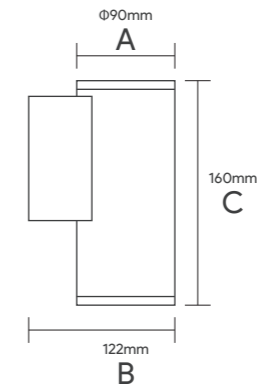
LLV.MB16-053A

Material	Aluminium + Glass
Power	2*3W
IP	54
Operating temperature	-40~50°C
Color temperature	3000K/4000K/6500K
Light efficiency	420lm
Color tendering index	≥80
Lifespan	50.000hrs
Product Size	L115 x W90 x H28mm



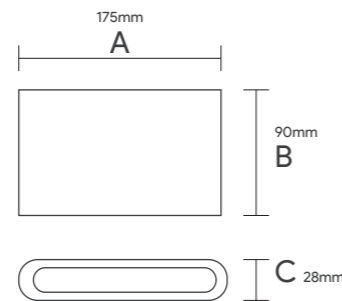
LLV.MB19-3001B

Material	Aluminium + Glass
Power	10W
IP	54
Operating temperature	-40~50°C
Color temperature	3000K/4000K/6500K
Light efficiency	700lm
Color tendering index	≥80
Lifespan	50.000hrs
Product Size	H160mm x Ø90mm



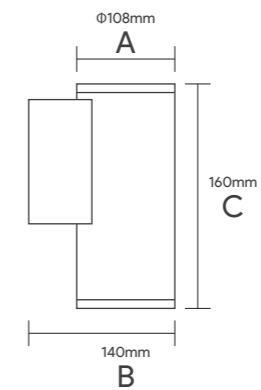
LLV.MB16-053B

Material	Aluminium + Glass
Power	2*5W
IP	54
Operating temperature	-40~50°C
Color temperature	3000K/4000K/6500K
Light efficiency	700lm
Color tendering index	≥80
Lifespan	50.000hrs
Product Size	L175 x W90 x H28mm



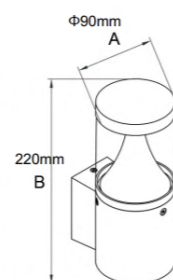
LLV.MB19-3001C

Material	Aluminium + Glass
Power	15W
IP	54
Operating temperature	-40~50°C
Color temperature	3000K/4000K/6500K
Light efficiency	1050lm
Color tendering index	≥80
Lifespan	50.000hrs
Product Size	H160mm x Ø108mm



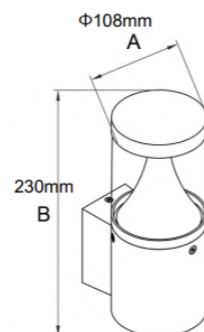
LLV.MB19-040590

Material	Aluminium + PC
Power	6W
IP	54
Operating temperature	-40~50°C
Color temperature	3000K/4000K/6500K
Light efficiency	420lm
Color tendering index	≥80
Lifespan	50.000hrs
Product Size	H220mm x Φ90mm



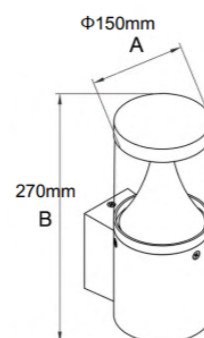
LLV.MB19-0405108

Material	Aluminium + PC
Power	9W
IP	54
Operating temperature	40~50°C
Color temperature	3000K/4000K/6500K
Light efficiency	630lm
Color tendering index	≥80
Lifespan	50.000hrs
Product Size	H230mm x Φ108mm



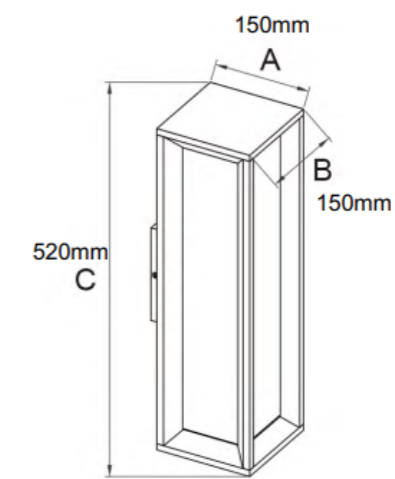
LLV.MB19-0405150

Material	Aluminium + PC
Power	12W
IP	54
Operating temperature	-40~50°C
Color temperature	3000K/4000K/6500K
Light efficiency	840lm
Color tendering index	≥80
Lifespan	50.000hrs
Product Size	H270mm x Φ150mm



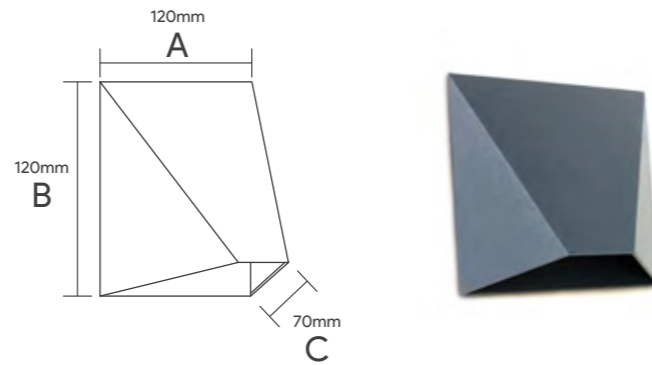
LLV.MB23-0410

Material	Aluminium + Acrylic
Power	15W
IP	54
Operating temperature	-40~50°C
Color temperature	3000K/4000K/6500K
Light efficiency	1050lm
Color tendering index	≥80
Lifespan	50.000hrs
Product Size	L150 x W150 x H520mm



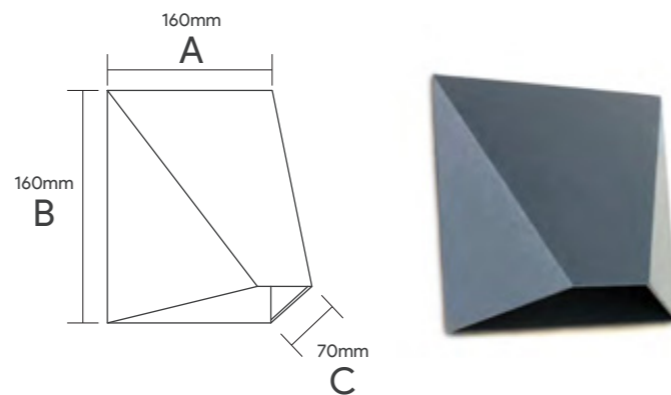
LLV.MB23-0430120

Material	Aluminium + Acrylic
Power	3W
IP	54
Operating temperature	-40~50°C
Color temperature	3000K/4000K/6500K
Light efficiency	210lm
Color tendering index	≥80
Lifespan	50.000hrs
Product Size	L120mm x W120mm



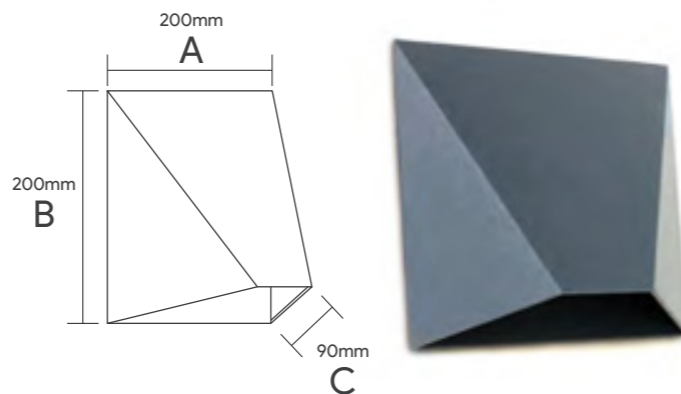
LLV.MB23-0430160

Material	Aluminium + Acrylic
Power	5W
IP	54
Operating temperature	-40~50°C
Color temperature	3000K/4000K/6500K
Light efficiency	350lm
Color tendering index	≥80
Lifespan	50.000hrs
Product Size	L160mm x W160mm



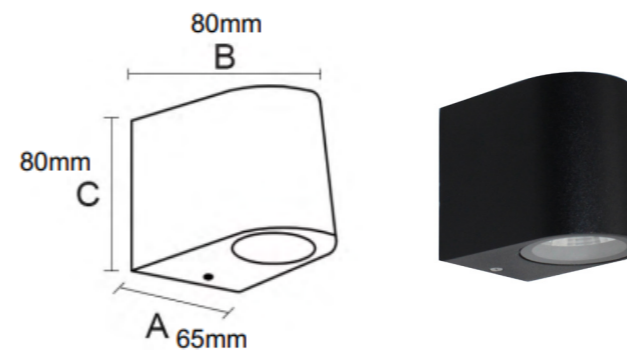
LLV.MB23-0430200

Material	Aluminium + Acrylic
Power	10W
IP	54
Operating temperature	-40~50°C
Color temperature	3000K/4000K/6500K
Light efficiency	700lm
Color tendering index	≥80
Lifespan	50.000hrs
Product Size	L200mm x W200mm



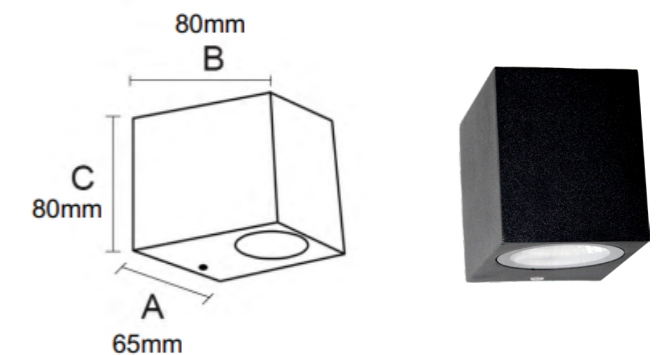
LLV.MB-40237

Material	Aluminium + Glass
Power	5W
IP	54
Operating temperature	-40~50°C
Color temperature	3000K/4000K/6500K
Light efficiency	350lm
Color tendering index	≥80
Lifespan	50.000hrs
Product Size	L80 x W65 x H80mm



LLV.MB-40238

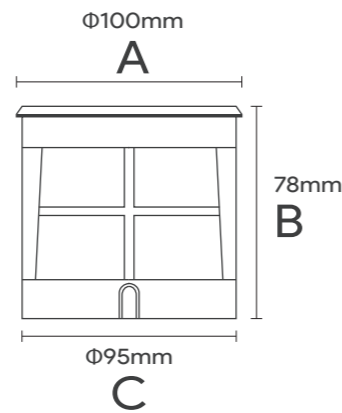
Material	Aluminium + Glass
Power	5W
IP	54
Operating temperature	-40~50°C
Color temperature	3000K/4000K/6500K
Light efficiency	350lm
Color tendering index	≥80
Lifespan	50.000hrs
Product Size	L80 x W65 x H80mm



Inground Light

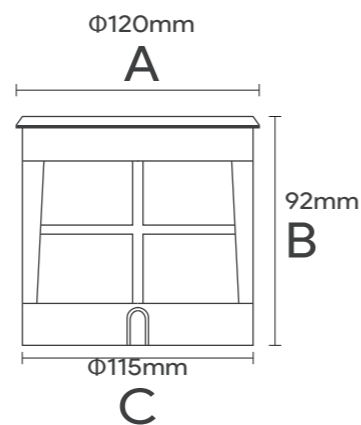
LLV.MB23-0501100

Material	Aluminium + Stainless steel
Power	6W
IP	67
Color temperature	-40~50°C
Light efficiency	3000K/4000K/6500K
Color tendering index	420lm
Operating temperature	≥80
Lifespan	50.000hrs
Product Size	H78 x Ø100 x Ø95mm



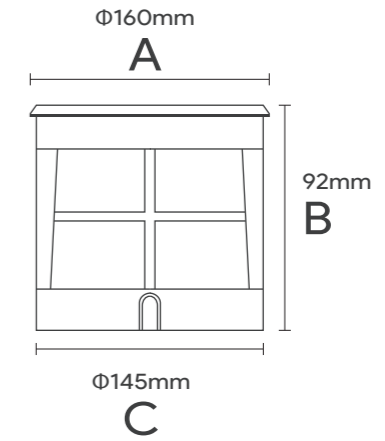
LLV.MB23-0501120

Material	Aluminium + Stainless steel
Power	12W
IP	67
Color temperature	-40~50°C
Light efficiency	3000K/4000K/6500K
Color tendering index	840lm
Operating temperature	≥80
Lifespan	50.000hrs
Product Size	H92 x Ø120 x Ø115mm



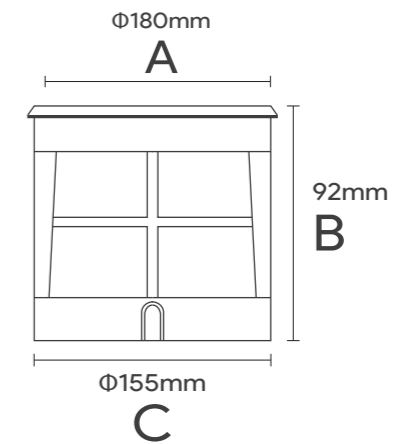
LLV.MB23-0501160

Material	Aluminium + Stainless steel
Power	18W
IP	67
Operating temperature	-40~50°C
Color temperature	3000K/4000K/6500K
Light efficiency	1260lm
Color tendering index	≥80
Lifespan	50.000hrs
Product Size	H92 x Ø160 x Ø145mm



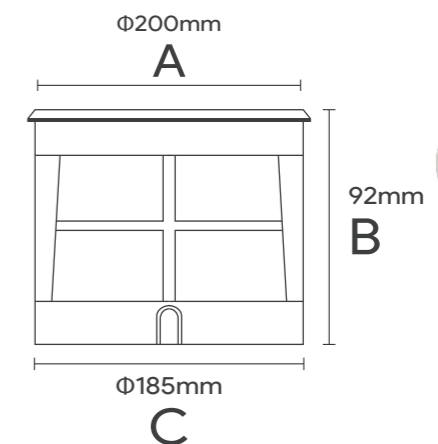
LLV.MB23-0501180

Material	Aluminium + Stainless steel
Power	24W
IP	67
Operating temperature	-40~50°C
Color temperature	3000K/4000K/6500K
Light efficiency	1680lm
Color tendering index	≥80
Lifespan	50.000hrs
Product Size	H92 x Ø180 x Ø155mm



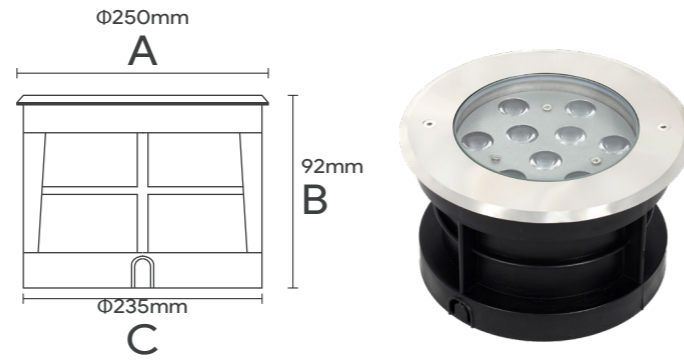
LLV.MB23-0501200

Material	Aluminium + Stainless steel
Power	36W
IP	67
Operating temperature	-40~50°C
Color temperature	3000K/4000K/6500K
Light efficiency	2520lm
Color tendering index	≥80
Lifespan	50.000hrs
Product Size	H92 x Ø200 x Ø185mm



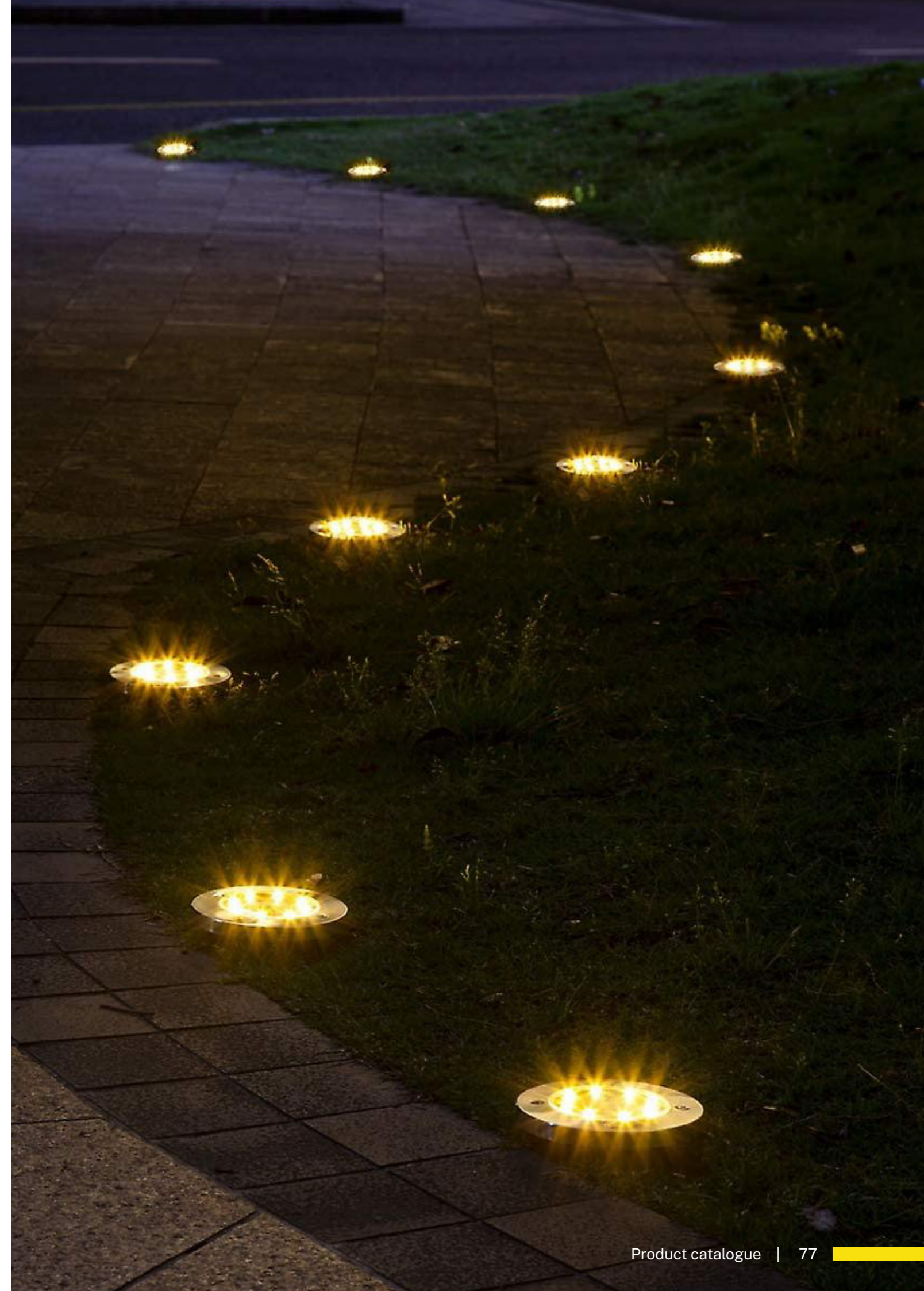
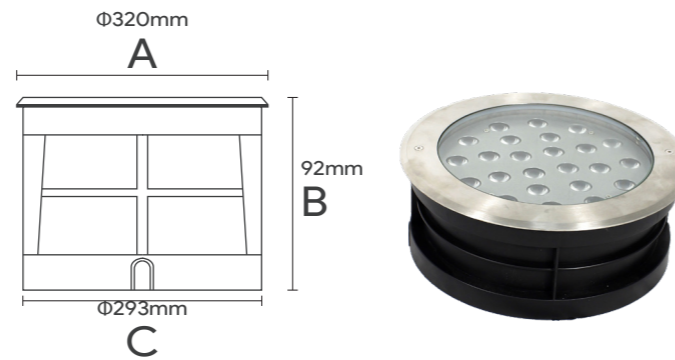
LLV.MB23-0501250

Material	Aluminium + Stainless steel
Power	48W
IP	67
Operating temperature	-40~50°C
Color temperature	3000K/4000K/6500K
Light efficiency	3360lm
Color tendering index	≥80
Lifespan	50.000hrs
Product Size	H92 x Ø250 x Ø235mm



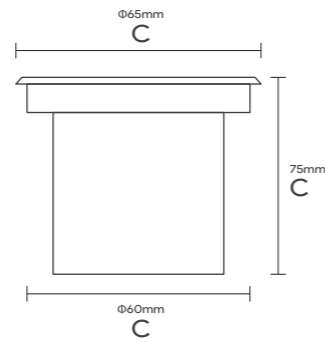
LLV.MB23-0501320

Material	Aluminium + Stainless steel
Power	72W
IP	67
Operating temperature	-40~50°C
Color temperature	3000K/4000K/6500K
Light efficiency	5040lm
Color tendering index	≥80
Lifespan	50.000hrs
Product Size	H92 x Ø320 x Ø293mm



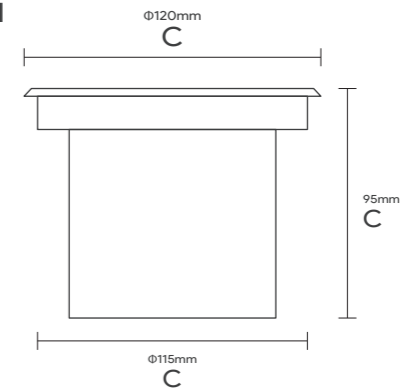
LLV.MB23-050365

Material	Aluminium + Stainless steel
Power	1W
IP	67
Operating temperature	-40~50°C
Color temperature	3000K/4000K/6500K
Light efficiency	70lm
Color tendering index	≥80
Lifespan	50.000hrs
Product Size	H75 x Φ65 x Φ60mm



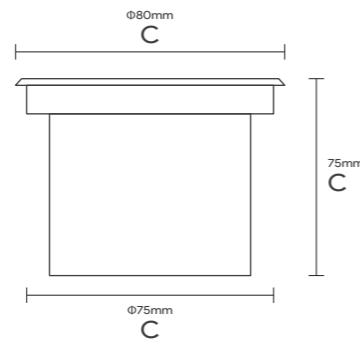
LLV.MB23-0503120

Material	Aluminium + Stainless steel
Power	6W
IP	67
Operating temperature	-40~50°C
Color temperature	3000K/4000K/6500K
Light efficiency	420lm
Color tendering index	≥80
Lifespan	50.000hrs
Product Size	H95 x Φ120 x Φ115mm



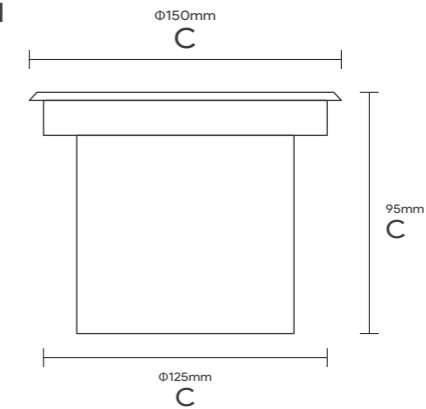
LLV.MB23-050380

Material	Aluminium + Stainless steel
Power	3W
IP	67
Operating temperature	-40~50°C
Color temperature	3000K/4000K/6500K
Light efficiency	210lm
Color tendering index	≥80
Lifespan	50.000hrs
Product Size	H75 x Φ80 x Φ75mm



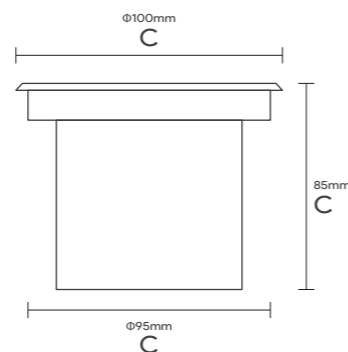
LLV.MB23-0503150

Material	Aluminium + Stainless steel
Power	9W
IP	67
Operating temperature	-40~50°C
Color temperature	3000K/4000K/6500K
Light efficiency	630lm
Color tendering index	≥80
Lifespan	50.000hrs
Product Size	H95 x Φ150 x Φ125mm



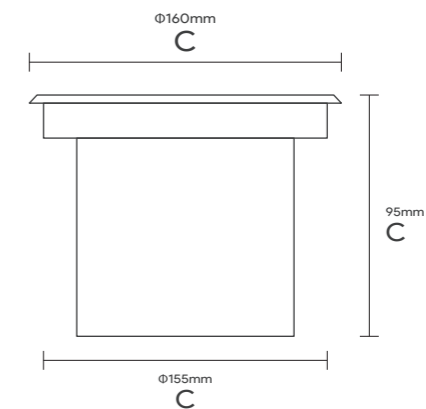
LLV.MB23-0503100

Material	Aluminium + Stainless steel
Power	5W
IP	67
Operating temperature	-40~50°C
Color temperature	3000K/4000K/6500K
Light efficiency	350lm
Color tendering index	≥80
Lifespan	50.000hrs
Product Size	H85 x Φ100 x Φ95mm



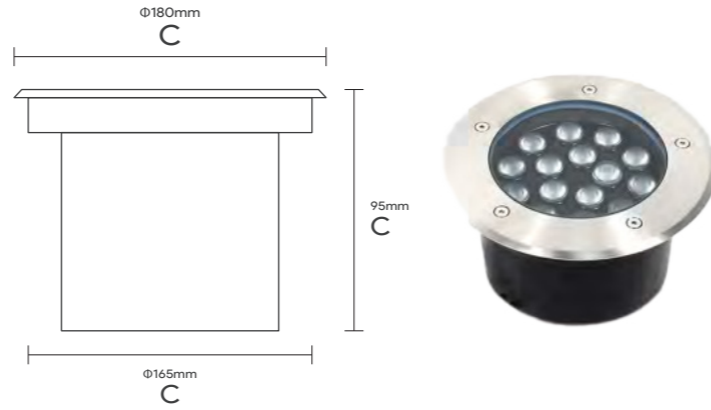
LLV.MB23-0503160

Material	Aluminium + Stainless steel
Power	12W
IP	67
Operating temperature	-40~50°C
Color temperature	3000K/4000K/6500K
Light efficiency	840lm
Color tendering index	≥80
Lifespan	50.000hrs
Product Size	H95 x Φ160 x Φ155mm



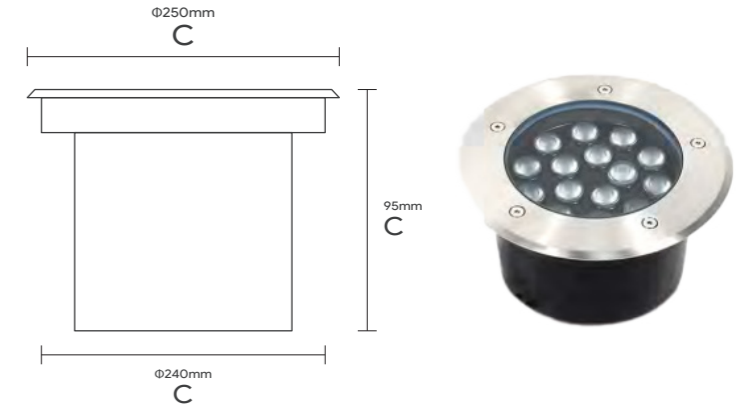
LLV.MB23-0503180

Material	Aluminium + Stainless steel
Power	15W
IP	67
Operating temperature	-40~50°C
Color temperature	3000K/4000K/6500K
Light efficiency	1050lm
Color tendering index	≥80
Lifespan	50.000hrs
Product Size	H95 x Φ180 x Φ165mm



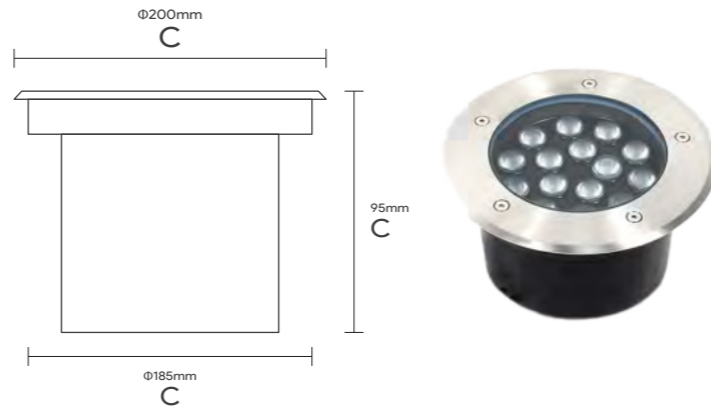
LLV.MB23-0503250

Material	Aluminium + Stainless steel
Power	24W
IP	67
Operating temperature	-40~50°C
Color temperature	3000K/4000K/6500K
Light efficiency	1680lm
Color tendering index	≥80
Lifespan	50.000hrs
Product Size	H95 x Φ250 x Φ240mm



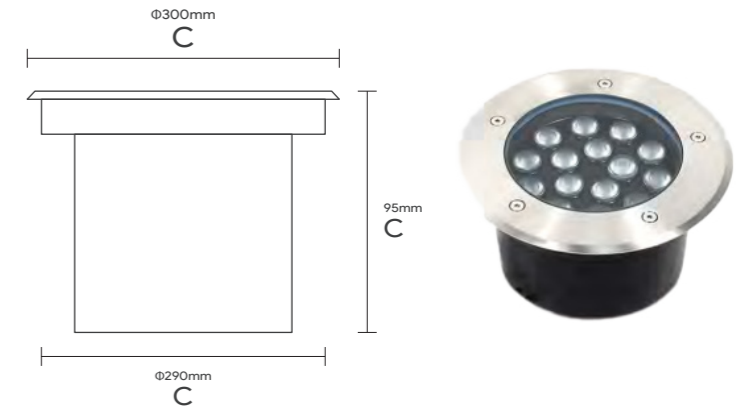
LLV.MB23-0503200

Material	Aluminium + Stainless steel
Power	18W
IP	67
Operating temperature	-40~50°C
Color temperature	3000K/4000K/6500K
Light efficiency	1260lm
Color tendering index	≥80
Lifespan	50.000hrs
Product Size	H95 x Φ200 x Φ185mm



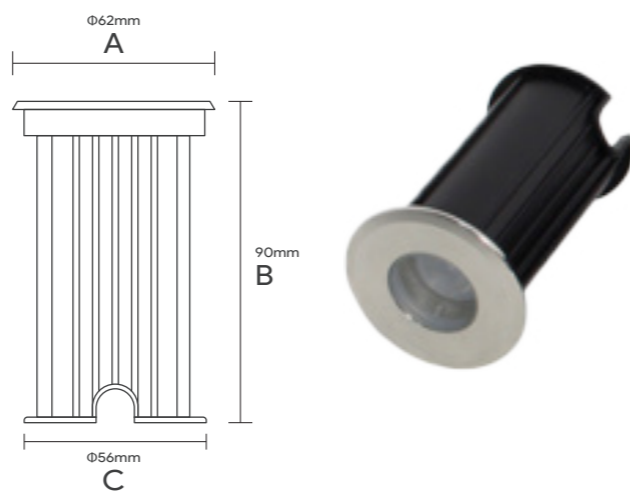
LLV.MB23-0503300

Material	Aluminium + Stainless steel
Power	36W
IP	67
Operating temperature	-40~50°C
Color temperature	3000K/4000K/6500K
Light efficiency	2520lm
Color tendering index	≥80
Lifespan	50.000hrs
Product Size	H95 x Φ300 x Φ290mm



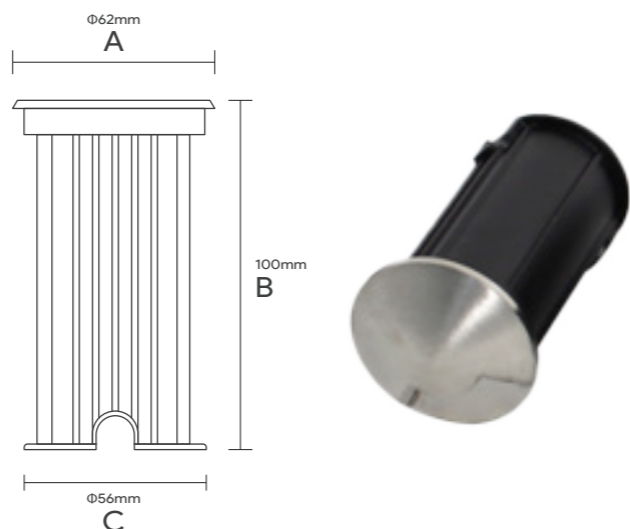
LLV.MB-10132

Material	Aluminium + Stainless steel
Power	1W
IP	65
Operating temperature	-40~50°C
Color temperature	3000K/4000K/6500K
Light efficiency	70lm
Color tendering index	≥80
Lifespan	50.000hrs
Product Size	H90 x Ø62 x Ø56mm



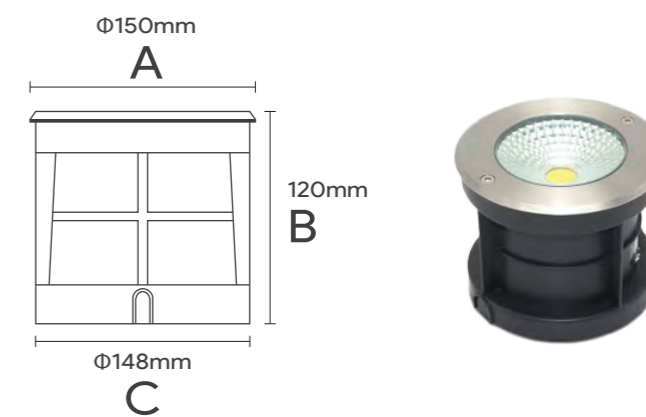
LLV.MB-10132T1/ LLV.MB-10132T2/ LLV.MB-10132T3/ LLV.MB-10132T4

Material	Aluminium + Stainless steel
Power	1W
IP	65
Operating temperature	-40~50°C
Color temperature	3000K/4000K/6500K
Light efficiency	70lm
Color tendering index	≥80
Lifespan	50.000hrs
Product Size	H100 x Ø62 x Ø56mm



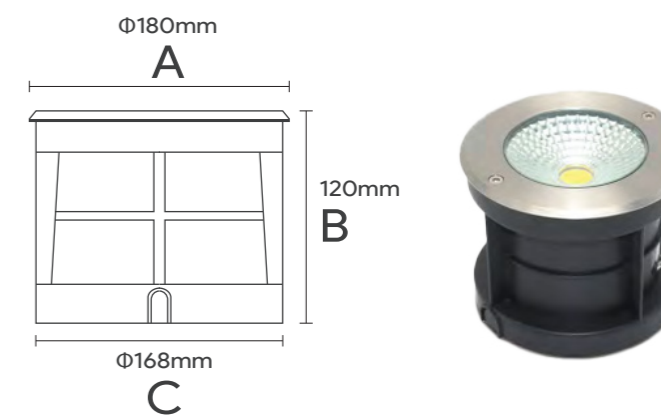
LLV.MB-D001

Material	Aluminium + Stainless steel
Power	10W
IP	65
Operating temperature	-40~50°C
Color temperature	3000K/4000K/6500K
Light efficiency	70lm
Color tendering index	≥80
Lifespan	50.000hrs
Product Size	H120 x Ø150 x Ø148mm



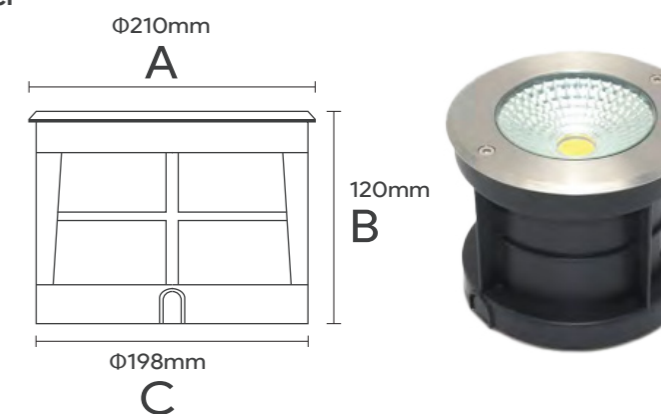
LLV.MB-D002

Material	Aluminium + Stainless steel
Power	15W
IP	65
Operating temperature	-40~50°C
Color temperature	3000K/4000K/6500K
Light efficiency	1050lm
Color tendering index	≥80
Lifespan	50.000hrs
Product Size	H120 x Ø180 x Ø168mm



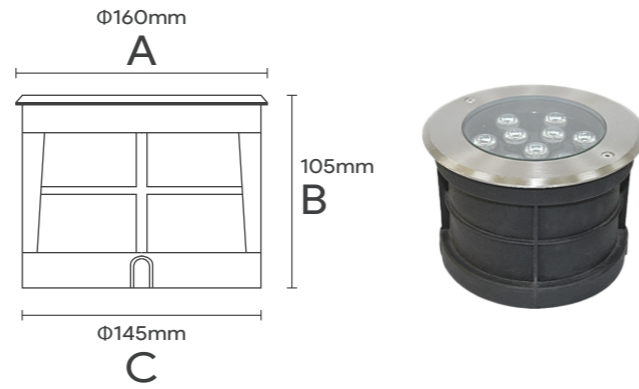
LLV.MB-D003

Material	Aluminium + Stainless steel
Power	20W
IP	65
Operating temperature	-40~50°C
Color temperature	3000K/4000K/6500K
Light efficiency	1400lm
Color tendering index	≥80
Lifespan	50.000hrs
Product Size	H120 x Ø210 x Ø198mm



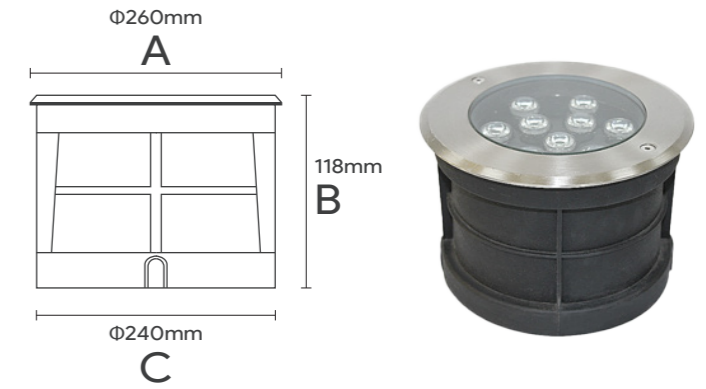
LLV.MB-D012

Material	Aluminium + Stainless steel
Power	9W
IP	67
Operating temperature	-40~50°C
Color temperature	3000K/4000K/6500K
Light efficiency	630lm
Color tendering index	≥80
Lifespan	50.000hrs
Product Size	H105 x Φ160 x Φ145mm



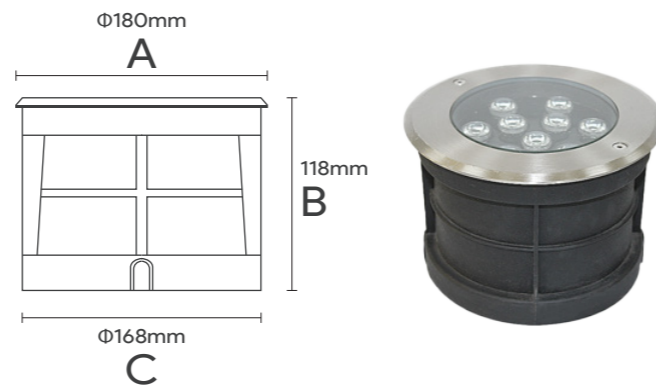
LLV.MB-D015

Material	Aluminium + Stainless steel
Power	24W
IP	67
Operating temperature	-40~50°C
Color temperature	3000K/4000K/6500K
Light efficiency	1680lm
Color tendering index	≥80
Lifespan	50.000hrs
Product Size	H118 x Φ260 x Φ240mm



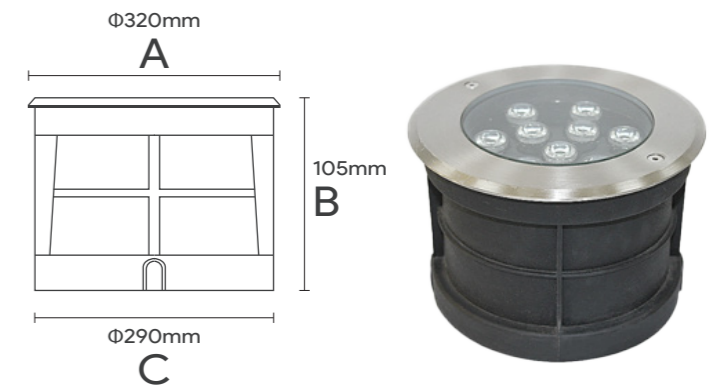
LLV.MB-D013

Material	Aluminium + Stainless steel
Power	12W
IP	67
Operating temperature	-40~50°C
Color temperature	3000K/4000K/6500K
Light efficiency	840lm
Color tendering index	≥80
Lifespan	50.000hrs
Product Size	H118 x Φ180 x Φ168mm



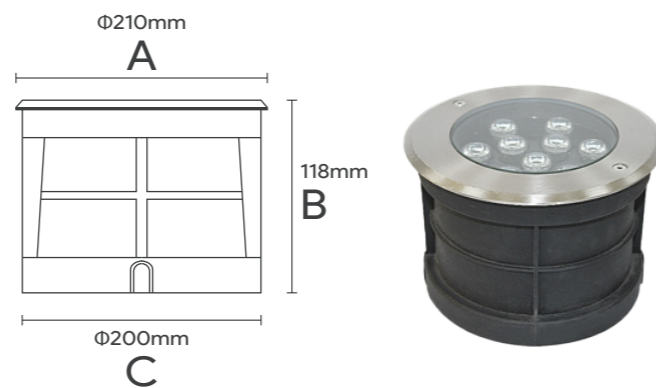
LLV.MB-D016

Material	Aluminium + Stainless steel
Power	36W
IP	67
Operating temperature	-40~50°C
Color temperature	3000K/4000K/6500K
Light efficiency	2520lm
Color tendering index	≥80
Lifespan	50.000hrs
Product Size	H105 x Φ320 x Φ290mm



LLV.MB-D014

Material	Aluminium + Stainless steel
Power	18W
IP	67
Operating temperature	-40~50°C
Color temperature	3000K/4000K/6500K
Light efficiency	1260lm
Color tendering index	≥80
Lifespan	50.000hrs
Product Size	H118 x Φ210 x Φ200mm





Underwater Light

LLV.MB23-0801230

LLV.MB23-0802230

Material	Plastic + PC
Power	12W
IP	68
Operating temperature	-40~50°C
Color temperature	3000K/4000K/6500K
Light efficiency	840lm
Color tendering index	≥80
Lifespan	50.000hrs
Product Size	Φ230mm



LLV.MB23-0801295

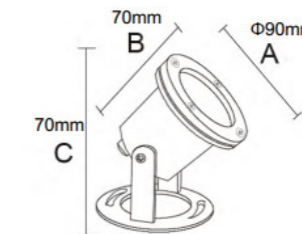
LLV.MB23-0802295

Material	Plastic + PC
Power	18W
IP	68
Operating temperature	-40~50°C
Color temperature	3000K/4000K/6500K
Light efficiency	1260lm
Color tendering index	≥80
Lifespan	50.000hrs
Product Size	Φ295mm



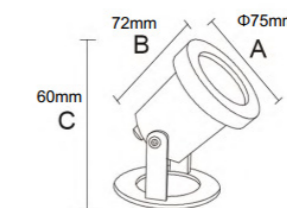
LLV.MB-2008

Material	Stainless steel + Glass
Power	3W
IP	-40~50°C
Operating temperature	68
Color temperature	3000K/4000K/6500K
Light efficiency	210lm
Color tendering index	≥80
Lifespan	50.000hrs
Product Size	H70 x W70 x Φ90mm



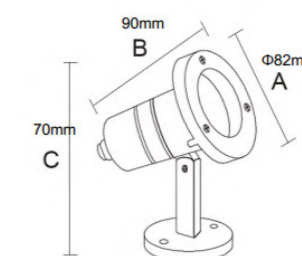
LLV.MB-2009

Material	Stainless steel + Glass
Power	3W
IP	68
Operating temperature	-40~50°C
Color temperature	3000K/4000K/6500K
Light efficiency	210lm
Color tendering index	≥80
Lifespan	50.000hrs
Product Size	H60 x W72 x Φ75mm



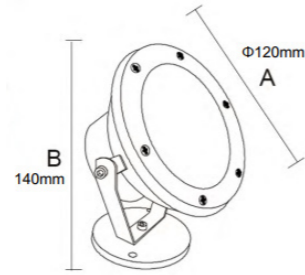
LLV.MB-2013

Material	Stainless steel + PC
Power	3W
IP	68
Operating temperature	-40~50°C
Color temperature	3000K/4000K/6500K
Light efficiency	210lm
Color tendering index	≥80
Lifespan	50.000hrs
Product Size	H70 x W90 x Φ82mm



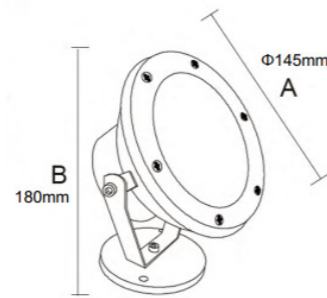
LLV.MB-2015

Material	Stainless steel + Glass
Power	6W
IP	68
Operating temperature	-40~50°C
Color temperature	3000K/4000K/6500K
Light efficiency	420lm
Color tendering index	≥80
Lifespan	50.000hrs
Product Size	H140mm x Φ120mm



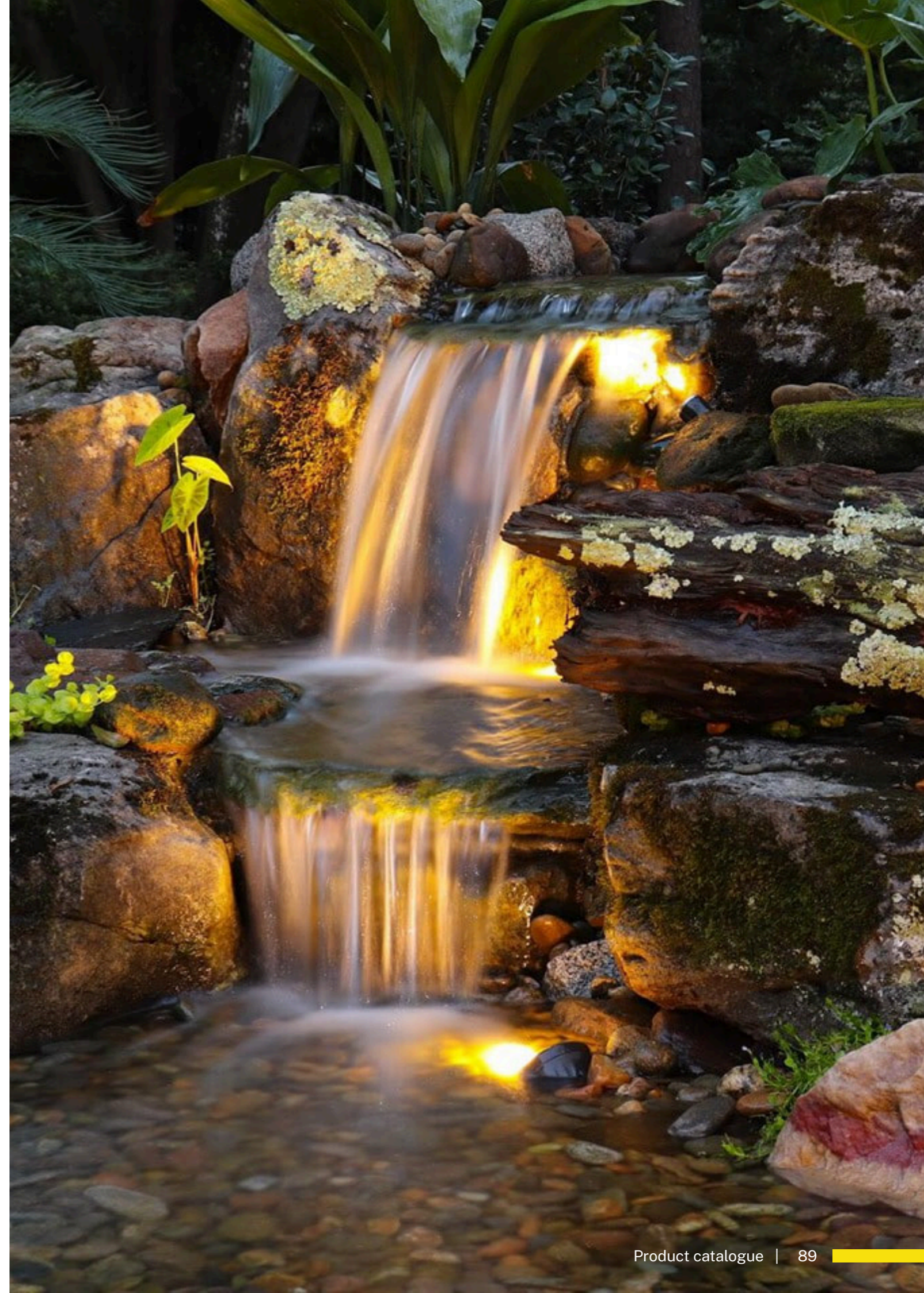
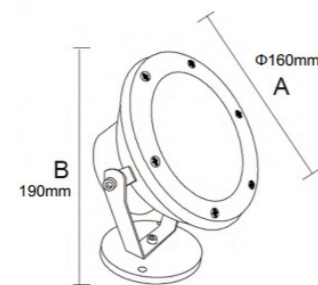
LLV.MB-2016

Material	Stainless steel + Glass
Power	9W
IP	68
Operating temperature	-40~50°C
Color temperature	3000K/4000K/6500K
Light efficiency	630lm
Color tendering index	≥80
Lifespan	50.000hrs
Product Size	H180mm x Φ145mm



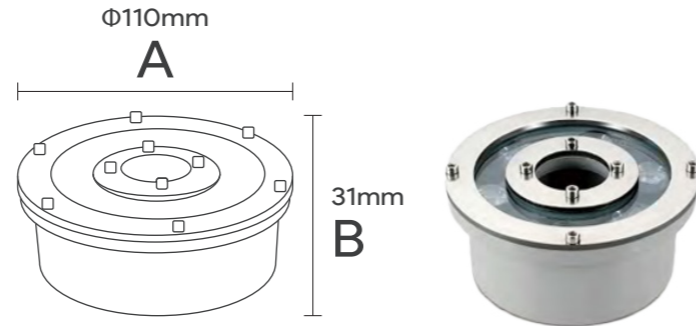
LLV.MB-2031

Material	Stainless steel + Glass
Power	12W
IP	68
Operating temperature	-40~50°C
Color temperature	3000K/4000K/6500K
Light efficiency	840lm
Color tendering index	≥80
Lifespan	50.000hrs
Product Size	H190mm x Φ160mm



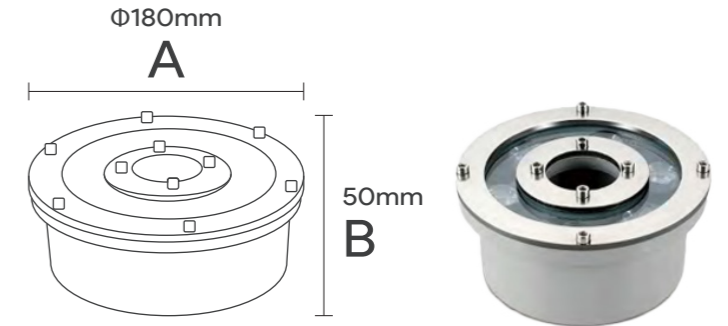
LLV.MB-G110

Material	Stainless steel + Glass
Power	6W
IP	68
Operating temperature	-40~50°C
Color temperature	3000K/4000K/6500K
Light efficiency	420lm
Color tendering index	≥80
Lifespan	50.000hrs
Product Size	H31mm x Φ110mm



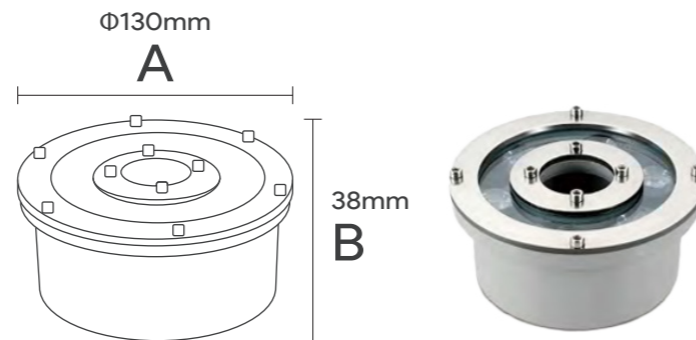
LLV.MB-G180

Material	Stainless steel + Glass
Power	12W
IP	68
Operating temperature	-40~50°C
Color temperature	3000K/4000K/6500K
Light efficiency	840lm
Color tendering index	≥80
Lifespan	50.000hrs
Product Size	H50mm x Φ180mm



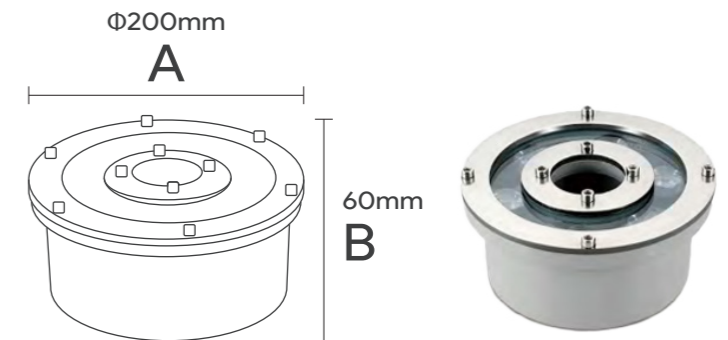
LLV.MB-G130

Material	Stainless steel + Glass
Power	6W
IP	68
Operating temperature	-40~50°C
Color temperature	3000K/4000K/6500K
Light efficiency	420lm
Color tendering index	≥80
Lifespan	50.000hrs
Product Size	H38mm x Φ130mm



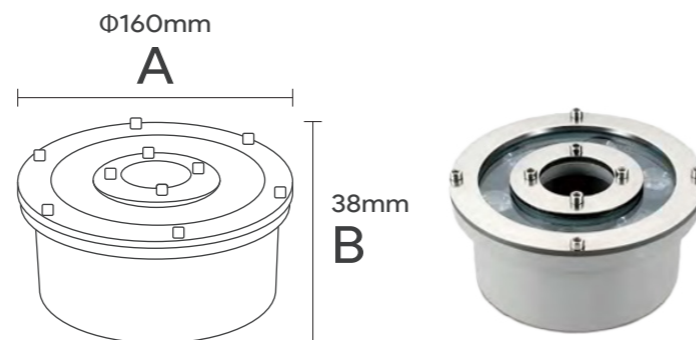
LLV.MB-G200

Material	Stainless steel + Glass
Power	18W
IP	68
Operating temperature	-40~50°C
Color temperature	3000K/4000K/6500K
Light efficiency	1260lm
Color tendering index	≥80
Lifespan	50.000hrs
Product Size	H60mm x Φ200mm



LLV.MB-G160

Material	Stainless steel + Glass
Power	9W
IP	68
Operating temperature	-40~50°C
Color temperature	3000K/4000K/6500K
Light efficiency	630lm
Color tendering index	≥80
Lifespan	50.000hrs
Product Size	H38mm x Φ160mm

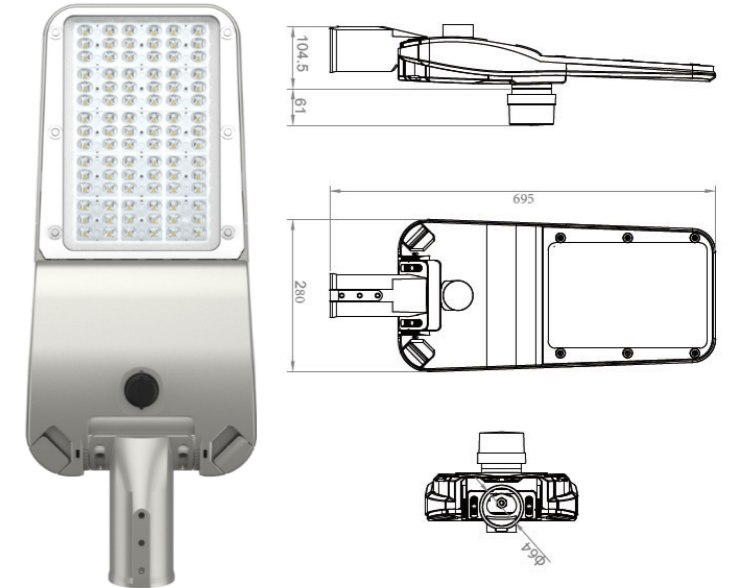


Street Light



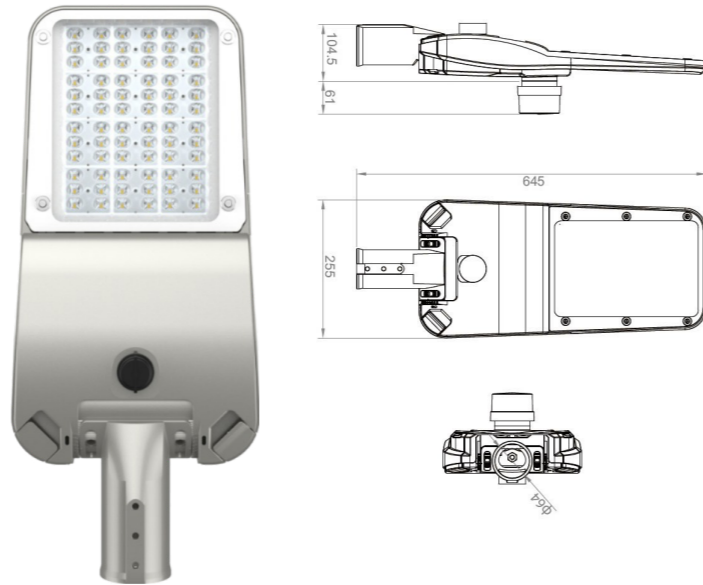
LLV.MS-ST2014150

Material	Die-cast aluminium
Power	150W
IP	65
Beam angle	90/100 degree
Color temperature	3000K/4000K/6500K
Light efficiency	27000lm
Color tendering index	≥70
Operating temperature	-40~50°C
Lifespan	50.000hrs
Product Size	L695*W280*H104mm



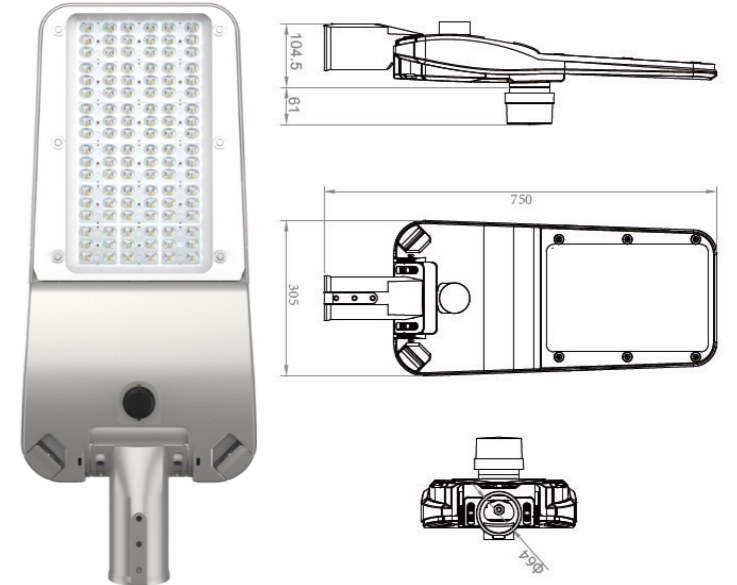
LLV.MS-ST2007080 / LLV.MS-ST2009100

Material	Die-cast aluminium
Power	80W/100W
IP	65
Beam angle	90/100 degree
Color temperature	3000K/4000K/6500K
Light efficiency	12800lm/16000lm
Color tendering index	≥70
Operating temperature	-40~50°C
Lifespan	50.000hrs
Product Size	MS-ST2007080 (L645*W255*H104mm) MS-ST2009100 (L645*W255*H104mm)



LLV.MS-ST2019200

Material	Die-cast aluminium
Power	200W
IP	65
Beam angle	90/100 degree
Color temperature	3000K/4000K/6500K
Light efficiency	36000lm
Color tendering index	≥70
Operating temperature	-40~50°C
Lifespan	50.000hrs
Product Size	L750*W305*H104mm



Solar Street Light



MS-ST902010 (SOL)

Material	Die-cast aluminium
Solar panel	4.5V 10W (Mono)
IP	65
Beam angle	150*75°C
Color temperature	3000K/4000K/6500K
Lumens	950LM+10%
Battery	32WH (LiFepo4)
Color tendering index	≥70
Operating temperature	-40~50°C
Lifespan	50.000hrs
Pole Diameter	φ50mm
Sensing distance	4-6m



MS-ST901006 (SOL)

Material	Die-cast aluminium
Power	4.5V 6W (Mono)
IP	65
Beam angle	150*75°C
Color temperature	3000K/4000K/6500K
Lumens	480LM+10%
Battery	16WH (LiFepo4)
Color tendering index	≥70
Operating temperature	-40~50°C
Lifespan	50.000hrs
Pole Diameter	Φ40mm
Sensing distance	4-6m



MS-ST903015 (SOL)

Material	Die-cast aluminium
Solar panel	4.5V 15W (Mono)
IP	65
Beam angle	150*75°C
Color temperature	3000K/4000K/6500K
Lumens	1300LM+10%
Battery	48WH (LiFepo4)
Color tendering index	≥70
Operating temperature	-40~50°C
Lifespan	50.000hrs
Pole Diameter	Φ50mm
Sensing distance	4-6m



MS-ST904030 (SOL)

Material	Die-cast aluminium
Solar panel	6V 30W (Mono)
IP	65
Beam angle	150*75°C
Color temperature	3000K/4000K/6500K
Lumens	1800LM+10%
Battery	64WH (LiFepo4)
Color tendering index	≥70
Operating temperature	-40~50°C
Lifespan	50.000hrs
Pole Diameter	φ50mm
Sensing distance	4-6m



MS-ST910060 (LEONA)

Material	Die-cast aluminium
Solar panel	60W
IP	66
Beam angle	360°C
Color temperature	3000K/4000K/6500K
Lumens	180Lm/W
Battery	12.8V 44AH LiFepo4
Color tendering index	≥70
Operating temperature	-20~50°C
Lifespan	50.000hrs
Backup Time	2-3 days autonomy
Sensor	Sensor: Mircowave



MS-ST905045 (SOL)

Material	Die-cast aluminium
Power	6V 45W (Mono)
IP	65
Beam angle	150*75°C
Color temperature	3000K/4000K/6500K
Lumens	2200LM+10%
Battery	96WH (LiFepo4)
Color tendering index	≥70
Operating temperature	-40~50°C
Lifespan	50.000hrs
Pole Diameter	φ50mm
Sensing distance	4-6m



MS-ST911080 (LEONA)

Material	Die-cast aluminium
Solar panel	80W
IP	66
Beam angle	360°C
Color temperature	3000K/4000K/6500K
Lumens	180Lm/W
Battery	12.8V 51AH LiFepo4
Color tendering index	≥70
Operating temperature	-20~50°C
Lifespan	50.000hrs
Backup Time	2-3 days autonomy
Sensor	Mircowave



MS-ST912100 (LEONA)

Material	Die-cast aluminium
Solar panel	100W
IP	66
Beam angle	360°C
Color temperature	3000K/4000K/6500K
Lumens	180Lm/W
Battery	12.8V 34AH LiFepo4x2pcs
Color tendering index	≥70
Operating temperature	-20~50°C
Lifespan	50.000hrs
Backup Time	2-3 days autonomy
Sensor	Mircowave



MS-ST913120 (LEONA)

Material	Die-cast aluminium
Solar panel	120W
IP	66
Beam angle	360°C
Color temperature	3000K/4000K/6500K
Lumens	180Lm/W
Battery	12.8V 47.6AH LiFepo4x2pcs
Color tendering index	≥70
Operating temperature	-20~50°C
Lifespan	50.000hrs
Backup Time	2-3 days autonomy
Sensor	Mircowave

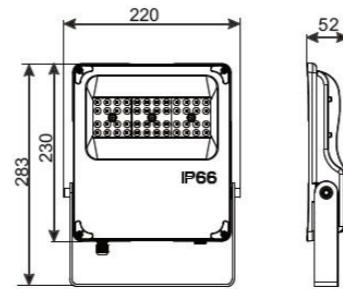


Flood Light



LLV.MS-FL1364050

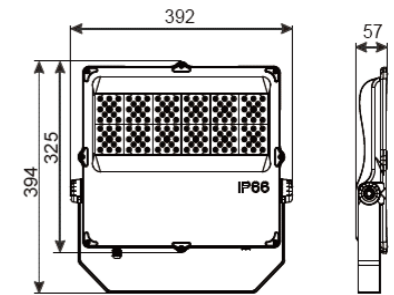
Material	Die-cast aluminium + PC
Power	50W
IP	66
Beam angle	90/120 degree
Color temperature	3000K/4000K/6500K
Light efficiency	7000lm
Color tendering index	≥70
Operating temperature	-40~50°C
Lifespan	50.000hrs
Product Size	283×220×52mm



50W

LLV.MS-FL1366150

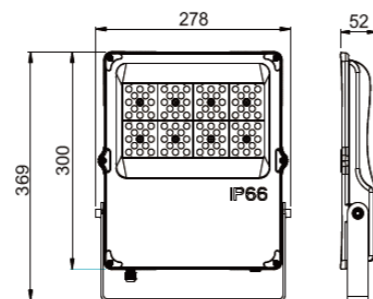
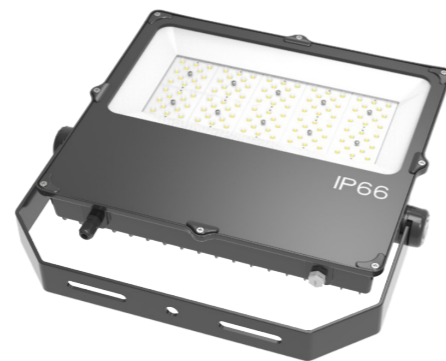
Material	Die-cast aluminium + PC
Power	150W
IP	66
Beam angle	90/120 degree
Color temperature	3000K/4000K/6500K
Light efficiency	21000lm
Color tendering index	≥70
Operating temperature	-40~50°C
Lifespan	50.000hrs
Product Size	394×392×57mm



150W

LLV.MS-FL1365100

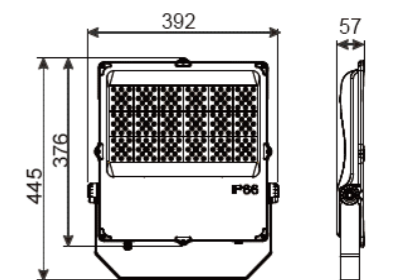
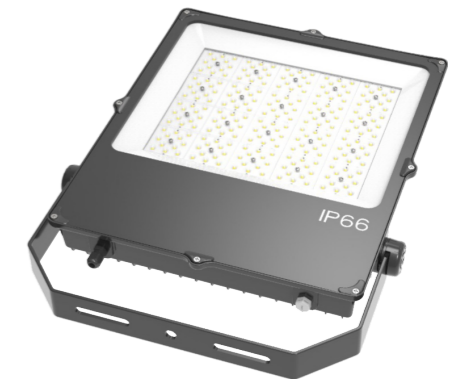
Material	Die-cast aluminium + PC
Power	100W
IP	66
Beam angle	90/120 degree
Color temperature	3000K/4000K/6500K
Light efficiency	14000lm
Color tendering index	≥70
Operating temperature	-40~50°C
Lifespan	50.000hrs
Product Size	369×278×52mm



100W

LLV.MS-FL1367200

Material	Die-cast aluminium + PC
Power	200W
IP	66
Beam angle	90/120 degree
Color temperature	3000K/4000K/6500K
Light efficiency	28000lm
Color tendering index	≥70
Operating temperature	-40~50°C
Lifespan	50.000hrs
Product Size	445×392×57mm



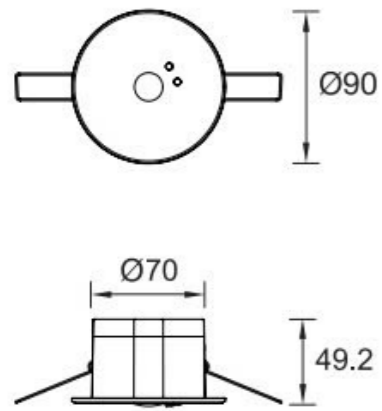
200W

UFO

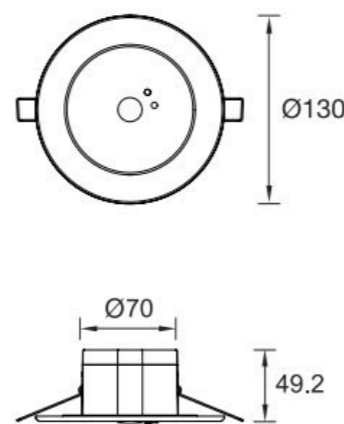


LLV.UPCR.3.NC180.NM

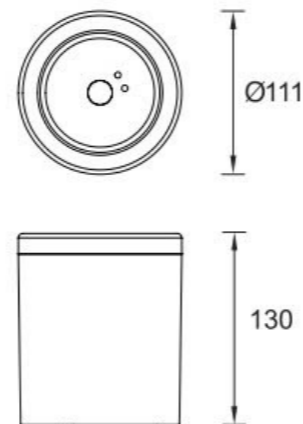
MODE OF OPERATION	Non-Maintained
LAMP	Maxspid 3W SMT LED Lamp
RATED DURATION	3 hrs and others
MAINS SUPPLY	230 Volts
MAINS FREQUENCY	50/60 Hz
POWER CONSUMPTION	< 2W
BATTERY	High temp nickel cadmium
CHARGE MONITOR	Green LED
TEST FACILITY	Tactile Switch
SAFETY FEATURE	Low volt cut-off preventing battery overdischarge
DIMENSIONS	355 x 109 x 61 mm
COMPLIANCE	SS 563 : Part 1 & 2, SS IEC 60598-2-22



UPCR.3.NC180.NM



with Big Disk Adaptor



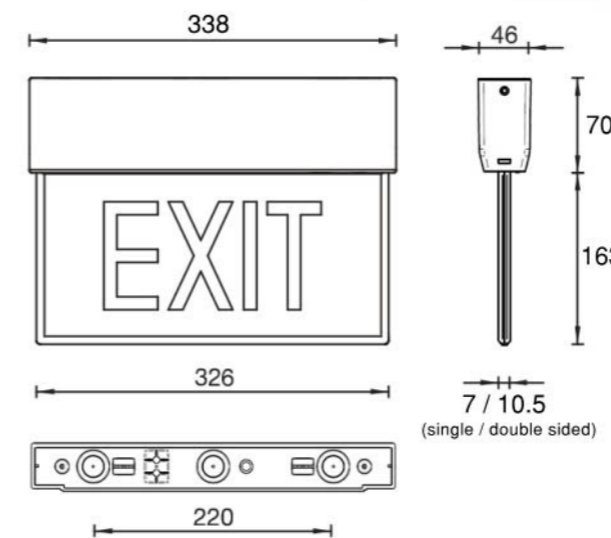
with Surface Casing

Slimline



LLV.SLS.M.DEE.NC180.WLF
LLV.SLS.M.DE.NC180.WLF

MODE OF OPERATION	Maintained
LAMP	1.5W SMT LED
RATED DURATION	3 hrs and others
MAINS SUPPLY	230 Volts
MAINS FREQUENCY	50/60 Hz
POWER CONSUMPTION	< 3W
BATTERY	High temp nickel cadmium
CHARGE MONITOR	Green LED
TEST FACILITY	Tactile Switch
SAFETY FEATURE	Low volt cut-off preventing battery overdischarge
DIMENSIONS	326 x 233mm
COMPLIANCE	SS 563 : Part 1 & , SS IEC 60598-2-22

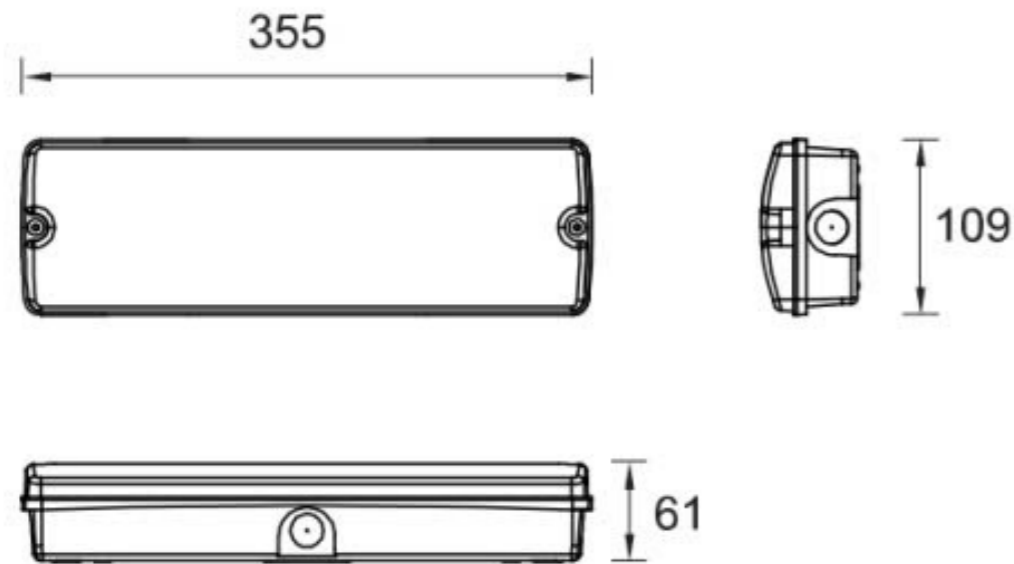


Rocky



LLV.MEW.3.NC180.NM

MODE OF OPERATION	Non-Maintained
LAMP	Maxspid 3W SMT LED Lamp
RATED DURATION	3 hrs and others
MAINS SUPPLY	230 Volts
MAINS FREQUENCY	50/60 Hz
POWER CONSUMPTION	< 2W
BATTERY	High temp nickel cadmium
CHARGE MONITOR	Green LED
TEST FACILITY	Tactile Switch
SAFETY FEATURE	Low volt cut-off preventing battery overdischarge
DIMENSIONS	355 x 61mm
COMPLIANCE	SS 563 : Part 1 & , SS IEC 60598-2-22

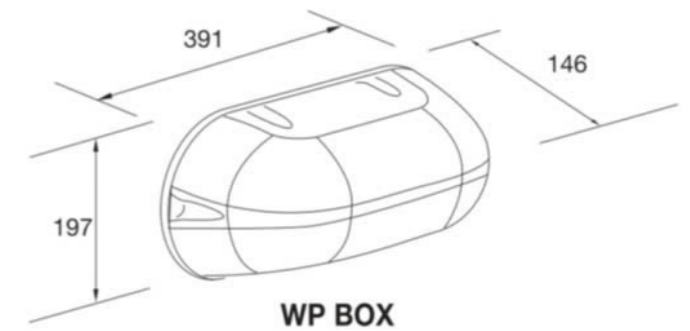
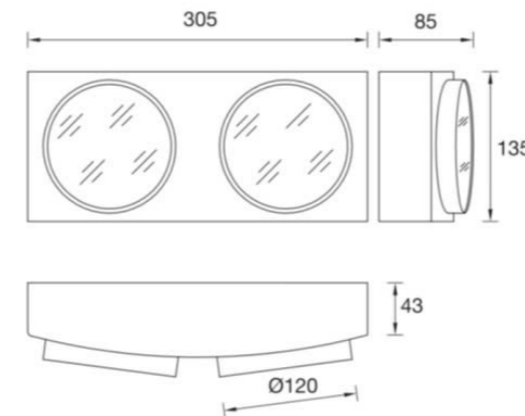


Minnie



LLV.MR203L NC

MODE OF OPERATION	Non-Maintained
LAMP	2 x 3W High power LED
RATED DURATION	2 hrs and others
MAINS SUPPLY	230 Volts
MAINS FREQUENCY	50/60 Hz
POWER CONSUMPTION	< 1.1W
BATTERY	High temp nickel cadmium
CHARGE MONITOR	Green LED
TEST FACILITY	Micro switch
SAFETY FEATURE	Low volt cut-off preventing battery overdischarge
DIMENSIONS	305 x 43mm
COMPLIANCE	SS 563 : Part 1 & , SS IEC 60598-2-22



COB LED Strip Light (Single Color)

No spot, no shadow, soft light

LLV.BYP-FS-COB-480-8MM

Material	PCB
Power	8W/M
IP	20
Beam angle	180 degree
Color temperature	3000K/4000K/6500K
Light efficiency	90lm/W
Color tendering index	≥90
Operating temperature	-20°C - 60°C
Lifespan	50.000hrs
PCB Width	8mm

LLV.BYP-FS-COB-480R/G/B/Y-8MM

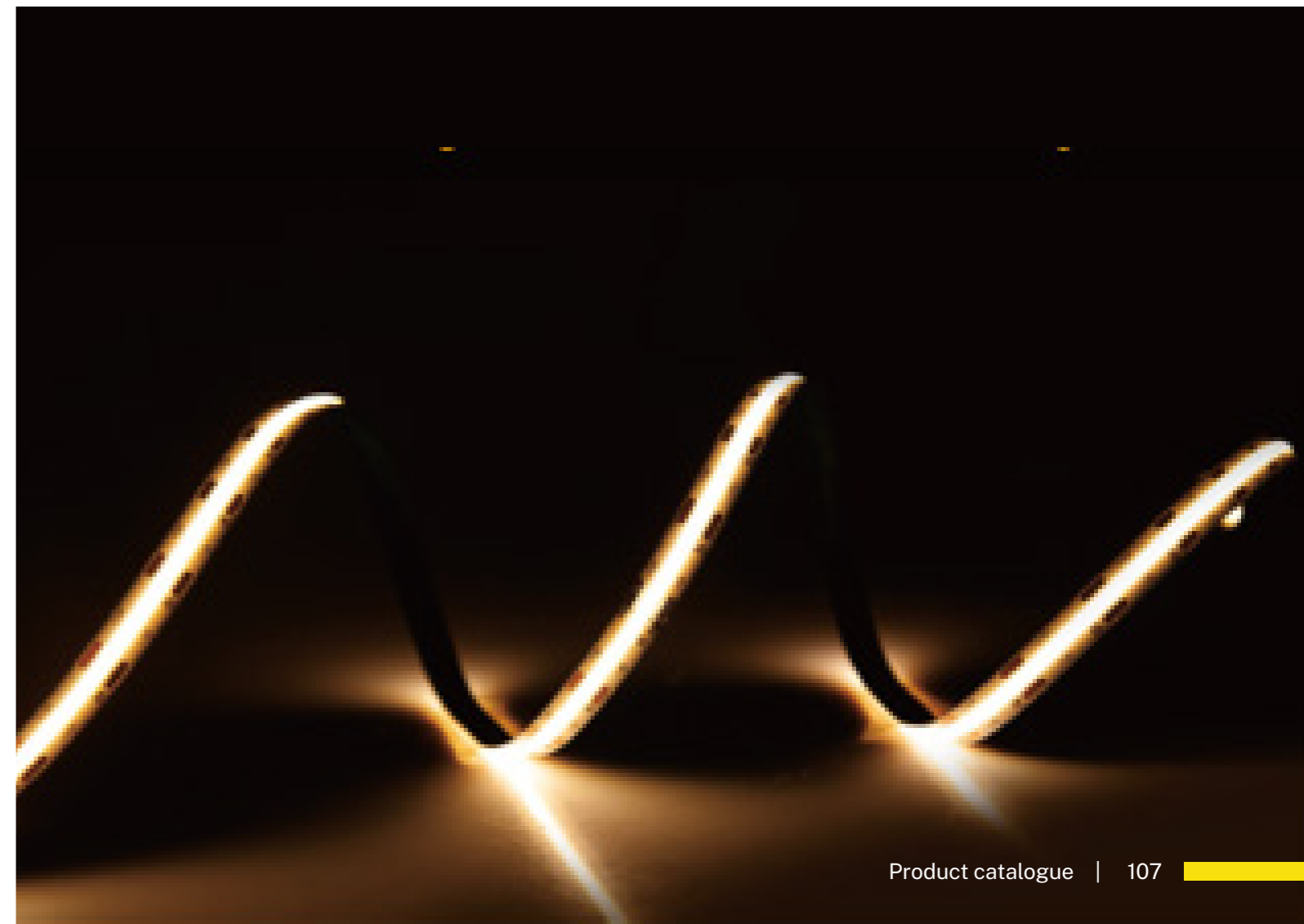
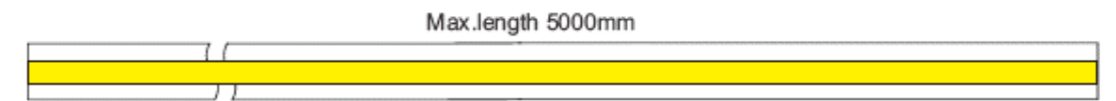
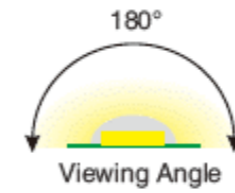
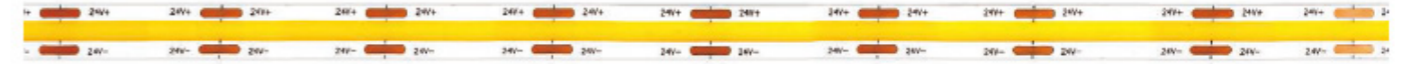
Material	PCB
Power	10W/M
IP	20
Beam angle	180 degree
Color temperature	Red/ Green/ Blue/ Yellow
Light efficiency	90lm/W
Color tendering index	≥90
Operating temperature	-20°C - 60°C
Lifespan	50.000hrs
PCB Width	8mm

LLV.BYP-FS-COB-480-10MM

Material	PCB
Power	12W/M
IP	20
Beam angle	180 degree
Color temperature	3000K/4000K/6500K
Light efficiency	90lm/W
Color tendering index	≥90
Operating temperature	-20°C - 60°C
Lifespan	50.000hrs
PCB Width	10mm

LLV.BYP-FS-COB-480R/G/B/Y-10MM

Power	12W/M
IP	20
Beam angle	180 degree
Color temperature	Red/ Green/ Blue/ Yellow
Light efficiency	90lm/m
Color tendering index	≥90
Operating temperature	-20°C - 60°C
Lifespan	50.000hrs
PCB Width	10mm



COB LED Strip Light (RGB, RGBW)

No spot, no shadow, soft light



LLV.BYP-FS-COB-336RGB

Material	PCB
Power	4.5W/M
IP	20
Beam angle	180 degree
Color temperature	RGB
Color tendering index	≥90
Operating temperature	-20°C - 60°C
Lifespan	50.000hrs
PCB Width	10mm

LLV.BYP-FS-COB-420RGB

Material	PCB
Power	9W/M
IP	20
Beam angle	180 degree
Color temperature	RGB
Color tendering index	≥90
Operating temperature	-20°C - 60°C
Lifespan	50.000hrs
PCB Width	10mm

LLV.BYP-FS-COB-840RGB

Material	PCB
Power	15W/M
IP	20
Beam angle	180 degree
Color temperature	RGB
Color tendering index	≥90
Operating temperature	-20°C - 60°C
Lifespan	50.000hrs
PCB Width	10mm

LLV.BYP-FS-COB-560RGBW

Material	PCB
Power	16W/M
IP	20
Beam angle	180 degree
Color temperature	RGBW
Color tendering index	≥90
Operating temperature	-20°C - 60°C
Lifespan	50.000hrs
PCB Width	12mm

LLV.BYP-FS-COB-840RGBW

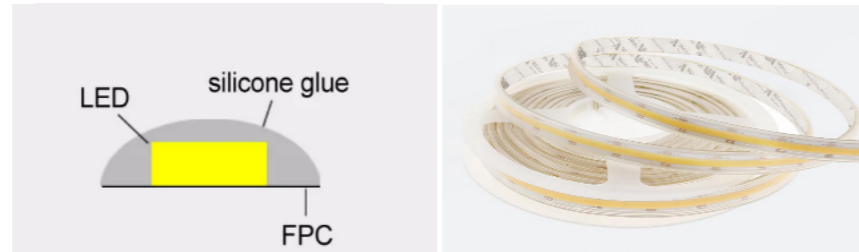
Material	PCB
Power	18W/M
IP	20
Beam angle	180 degree
Color temperature	RGBW
Color tendering index	≥90
Operating temperature	-20°C - 60°C
Lifespan	50.000hrs
PCB Width	12mm



Option IP of COB LED Strip

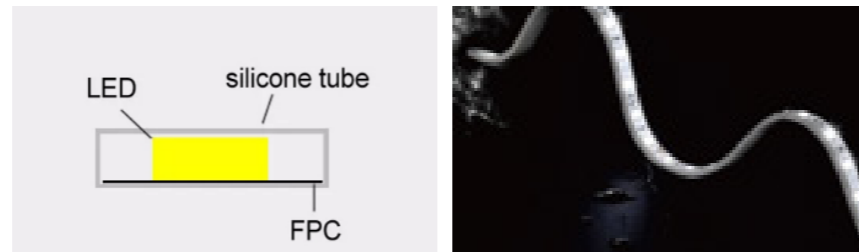
IP54

Best quality silicone coat on the surface and adhesive tape at the back side, anti UV



IP65

Extruded Silicone tube, thick Transparent extruded tube, hollow inside, anti UV, would not turn hard and yellow, anti UV



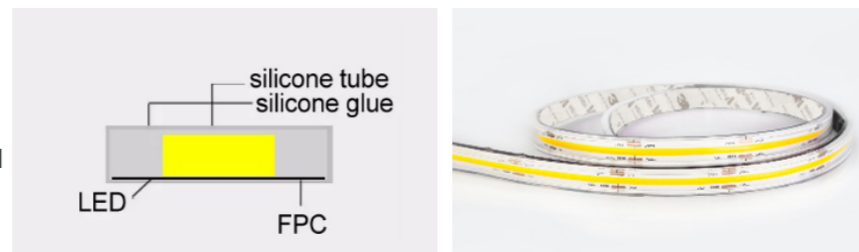
IP67

Extruded Neon, thick milky extruded tube, Silicon Integrated Molding Process, hollow inside, anti UV, would not turn hard and yellow, anti UV



IP68

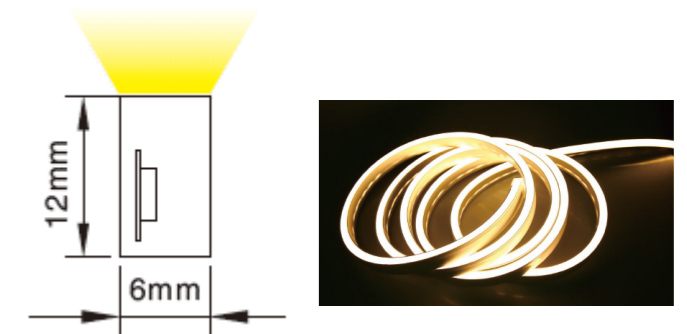
LED strip with silicone coat and silicone inside, solid, can resist low temperature (>-40 centigrade), anti UV, would not turn hard and yellow



Neon LED Strip Light (Side view)

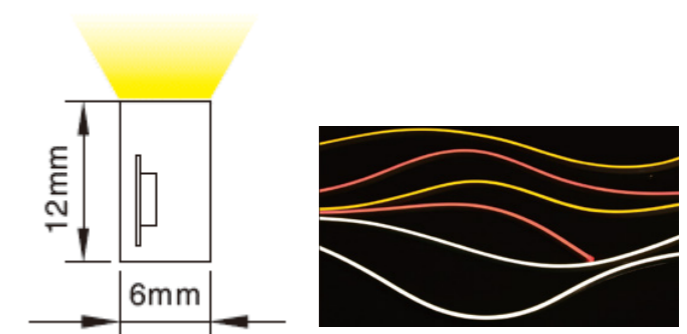
LLV.BYP-FS-SNF-USS-24V-RA90

Material	Silicon neon
Power	10W/M
IP	67
Beam Angle	120 degree
Color temperature	3000K/4000K/6500K
Light efficiency	300lm/m
Color tendering index	≥90
Operating temperature	-20°C - 60°C
Lifespan	50.000hrs
Cuttting Length	50 mm



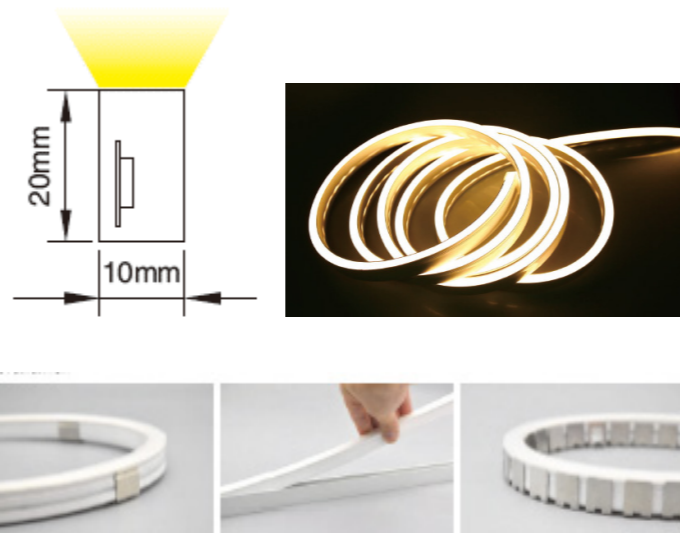
LLV.BYP-FS-SNF-USS-24V-RA90

Material	Silicon neon
Power	10W/M
IP	67
Beam Angle	120 degree
Color temperature	Red/Green, Blue, Yellow
Light efficiency	300lm/m
Color tendering index	≥90
Operating temperature	-20°C - 60°C
Lifespan	50.000hrs
Cuttting Length	50 mm



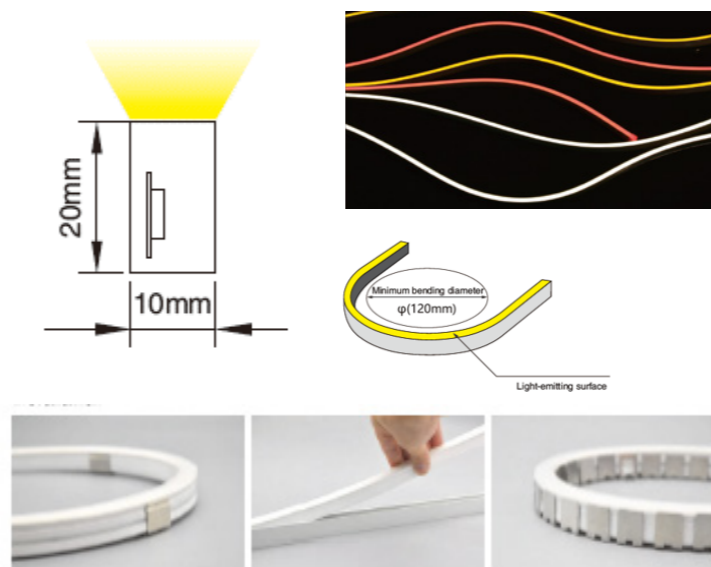
LLV.BYP-FS-SNF-UNS-24V-RA90

Material	Silicon neon
Power	12W/M
IP	67
Beam Angle	120 degree
Color temperature	3000K/4000K/6500K
Light efficiency	520lm/m
Color tendering index	≥90
Lifespan	50.000hrs
Cutting Length	50 mm



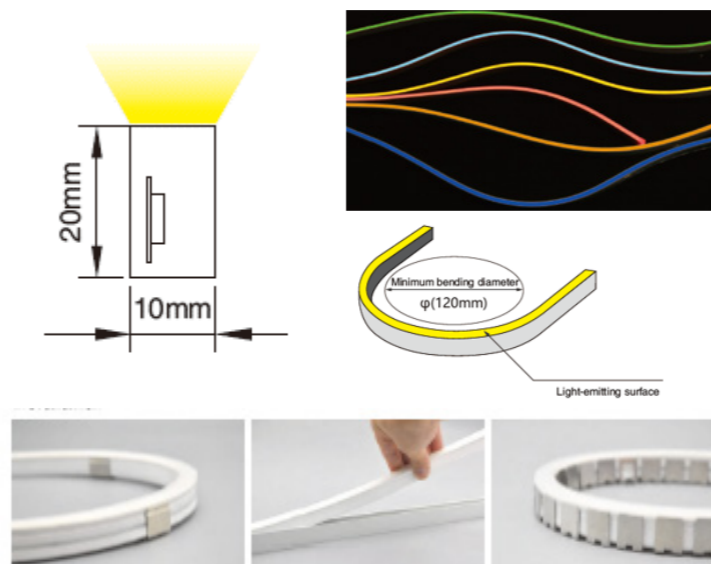
LLV.BYP-FS-SNF-USS-24V-RA90

Material	Silicon neon
Power	12W/M
IP	67
Beam angle	120 degree
Color temperature	Red/Green, Blue, Yellow
Color tendering index	≥90
Operating temperature	-20°C - 60°C
Lifespan	50.000hrs
Cutting Length	50 mm



LLV.BYP-FS-SNF-USS-24V-RA90

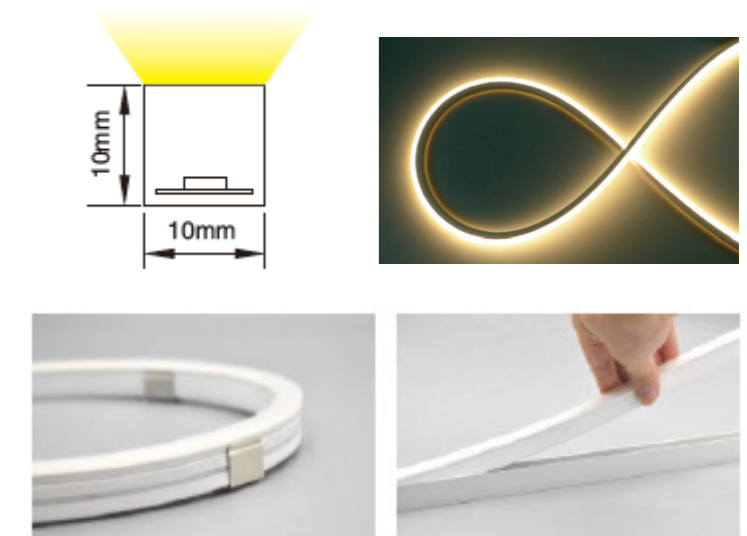
Material	Silicon neon
Power	10W/M
IP	67
Beam Angle	120 degree
Color temperature	RGB
Color tendering index	≥90
Operating temperature	-20°C - 60°C
Lifespan	50.000hrs
Cutting Length	50 mm



Neon LED Strip Light (Top view)

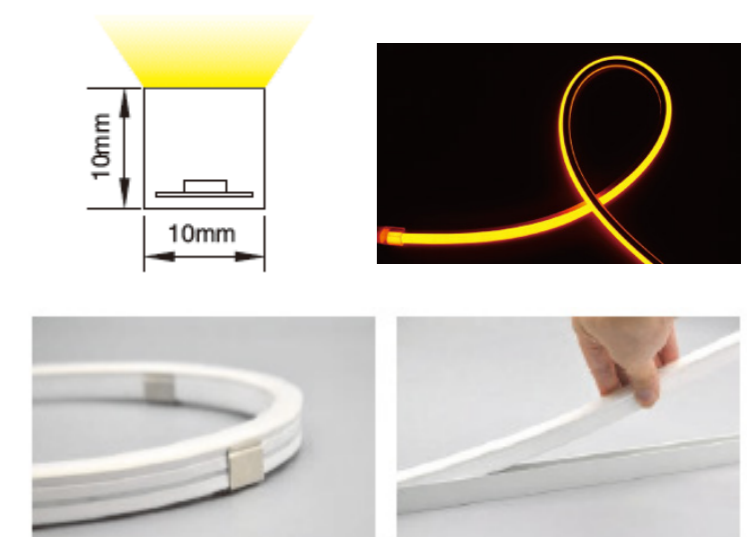
LLV.BYP-FS-SNF-UST-24V-RA90

Material	Silicon neon
Power	10W/M
IP	67
Beam angle	120 degree
Color temperature	3000K/4000K/6500K
Light efficiency	400lm/m
Color tendering index	≥90
Operating temperature	-20°C - 60°C
Lifespan	50.000hrs
Cutting Length	50 mm



LLV.BYP-FS-SNF-UST-24V-RA90

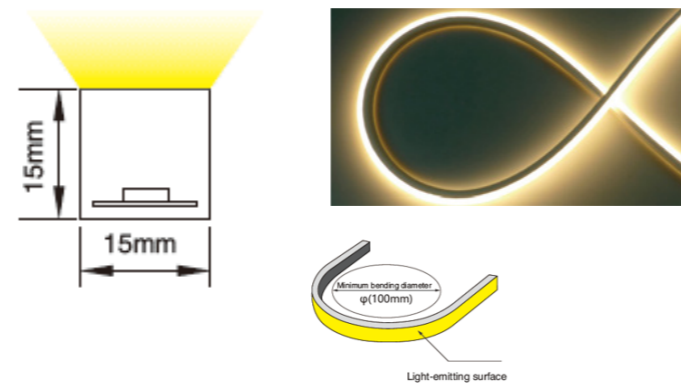
Material	Silicon neon
Power	10W/M
IP	67
Beam angle	120 degree
Color temperature	Red/Green, Blue, Yellow
Color tendering index	≥90
Operating temperature	-20°C - 60°C
Lifespan	50.000hrs
Cutting Length	50 mm



SMD 2835 LED Strip

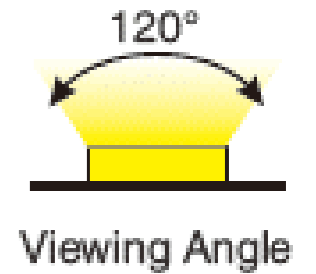
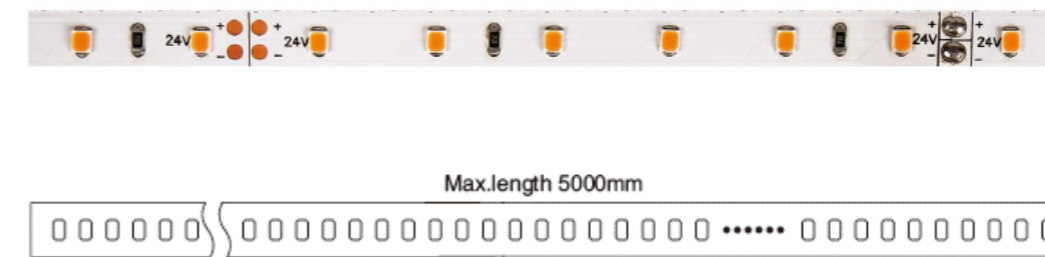
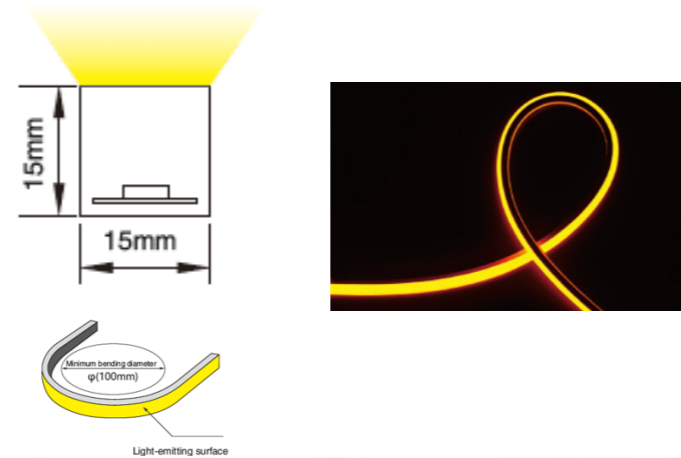
LLV.BYP-FS-SNF-UNT-24V-RA90

Material	Silicon neon
Power	10W/M
IP	67
Beam angle	120 degree
Color temperature	3000K/4000K/6500K
Color tendering index	≥90
Operating temperature	-20°C - 60°C
Lifespan	50.000hrs
Cutting Length	50 mm



LLV.BYP-FS-SNF-UNT-24V-RA90

Material	Silicon neon
Power	10W/M
IP	67
Beam angle	120 degree
Color temperature	Red/Green, Blue, Yellow
Color tendering index	≥90
Operating temperature	-20°C - 60°C
Lifespan	50.000hrs
Cutting Length	50 mm



LLV.BY-FS-2835-30

Material	PCB
Power	2.4W/M
IP	20
Beam angle	120 degree
Color temperature	3000K/4000K/6500K
Light efficiency	90-95lm/W
Color tendering index	≥90
Operating temperature	-20°C - 60°C
Lifespan	50.000hrs
PCB Width	8mm

LLV.BY-FS-2835-60

Material	PCB
Power	4.8W/M
IP	20
Beam angle	120 degree
Color temperature	3000K/4000K/6500K
Light efficiency	90-100lm/W
Color tendering index	≥90
Operating temperature	-20°C - 60°C
Lifespan	50.000hrs
PCB Width	8mm

Option IP of SMD LED Strip

LLV.BY-FS-2835-96

Material	PCB
Power	7.7W/M
IP	20
Beam angle	120 degree
Color temperature	3000K/4000K/6500K
Light efficiency	90-100lm/W
Color tendering index	≥90
Operating temperature	-20°C - 60°C
Lifespan	50.000hrs
PCB Width	8mm

LLV.BY-FS-2835-120

Material	PCB
Power	10W/M
IP	20
Beam angle	120 degree
Color temperature	3000K/4000K/6500K
Light efficiency	90-100lm/W
Color tendering index	≥90
Operating temperature	-20°C - 60°C
Lifespan	50.000hrs
PCB Width	8mm

LLV.BY-FS-2835-180

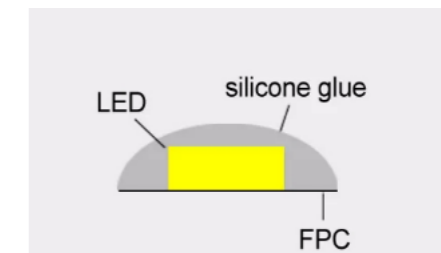
Material	PCB
Power	14.4W/M
IP	20
Beam angle	120 degree
Color temperature	3000K/4000K/6500K
Light efficiency	85-100lm/W
Color tendering index	≥90
Operating temperature	-20°C - 60°C
Lifespan	50.000hrs
PCB Width	10mm

LLV.BY-FS-2835-240

Material	PCB
Power	19.2W/M
IP	20
Beam angle	120 degree
Color temperature	3000K/4000K/6500K
Light efficiency	90-100lm/W
Color tendering index	≥90
Operating temperature	-20°C - 60°C
Lifespan	50.000hrs
PCB Width	10mm

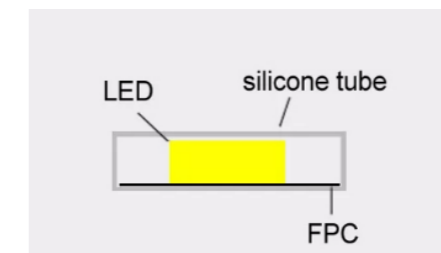
IP54

Best quality silicone coat on the surface and adhesive tape at the back side, anti UV



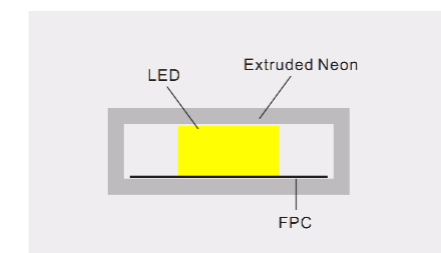
IP65

Extruded Silicone tube, hick Transparent extruded tube, hollow inside, anti UV, would not turn hard and yellow, anti UV



IP67

Extruded Neon,thick milky extruded tube, Silicon Integrated Molding Process, hollow inside, anti UV, would not turn hard and yellow, anti UV



IP68

LED strip with silicone coat and silicone inside, solid, can resist low temperature (>-40 centigrade), anti UV, would not turn hard and yellow

